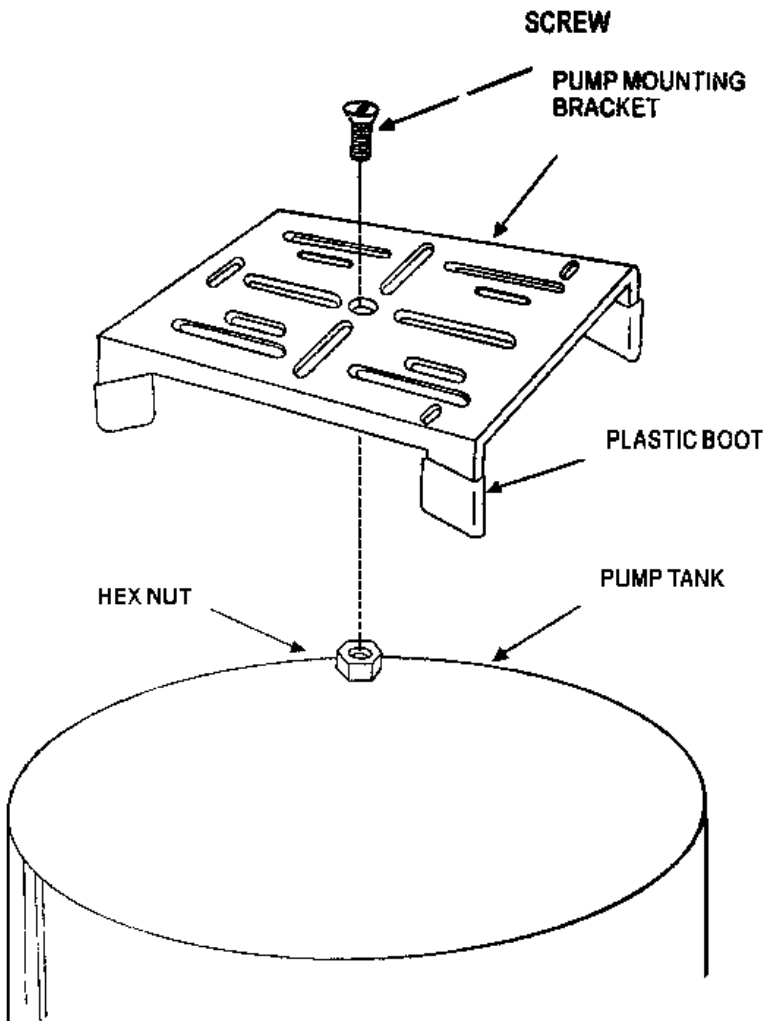
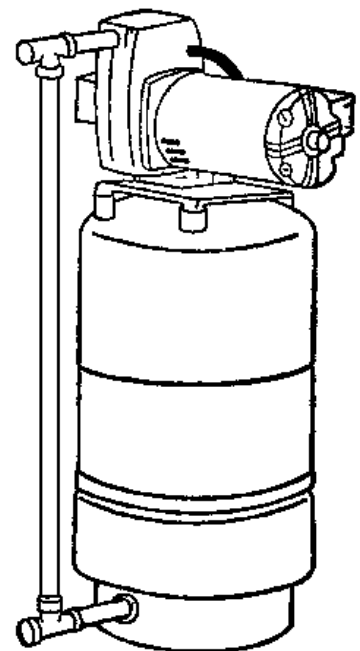


PUMP MOUNTING BRACKET INSTALLATION INSTRUCTIONS



For MOST 16" diameter tanks:
Attach mounting plate to tank using 3/8" x 1" slotted flat screw. Do not engage hex nut in top of tank more than 3 turns of thread of tank may be punctured, voiding warranty.

For MOST 22-26" diameter tanks:
Attach mounting plate to tank using 3/8" x 5/8" adapter and 3/8" x 1 1/4" slotted flat screw. Do not engage adaptor more than 4 1/2 turns of thread



WARNING!

Failure to follow these directions could lead to tank failure and void the warranty.

TYPICAL PUMP INSTALLATION