



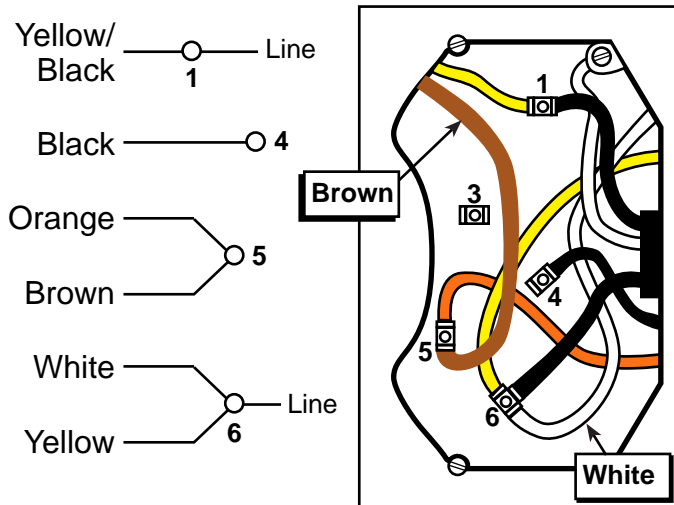
Changing Voltage • Jet Motors Magnetek (A.O. Smith) Motors

1/3 and 1/2 HP motors factory wired for 115V AC
3/4 HP Motors and up factory wired for 230V AC

Pump Series 8100, 8200, 1000, 1500, 9000

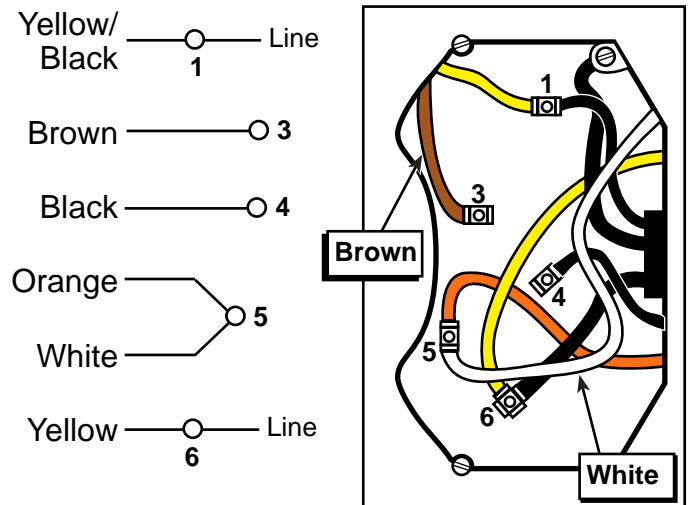
Low Voltage • 115V

Brown wire should be on terminal 5
White wire should be on terminal 6



High Voltage • 230V

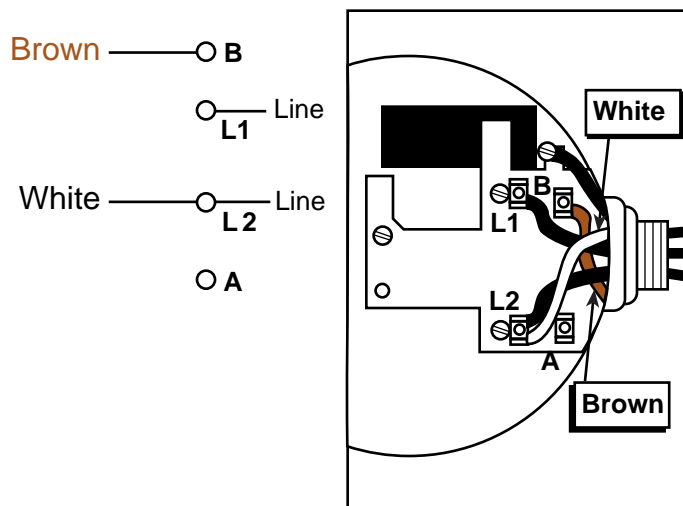
Brown wire should be on terminal 3
White wire should be on terminal 5



Pump Series 8500, 8600

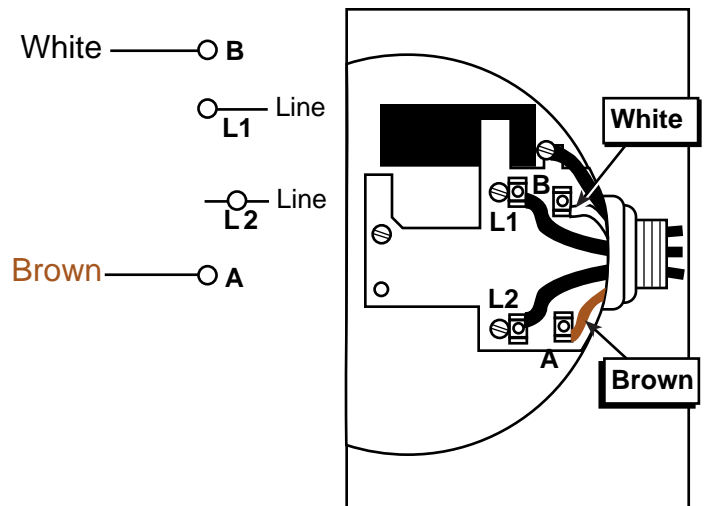
Low Voltage • 115V

Brown wire should be on terminal B
White wire should be on terminal L2



High Voltage • 230V

White wire should be on terminal B
Brown wire should be on terminal A



A.Y. McDONALD MFG. CO.

P.O. BOX 508 • DUBUQUE, IA 52004-0508 • 800-292-2737 • FAX 800-832-9296
pumps@aymcdonald.com • www.aymcdonald.com