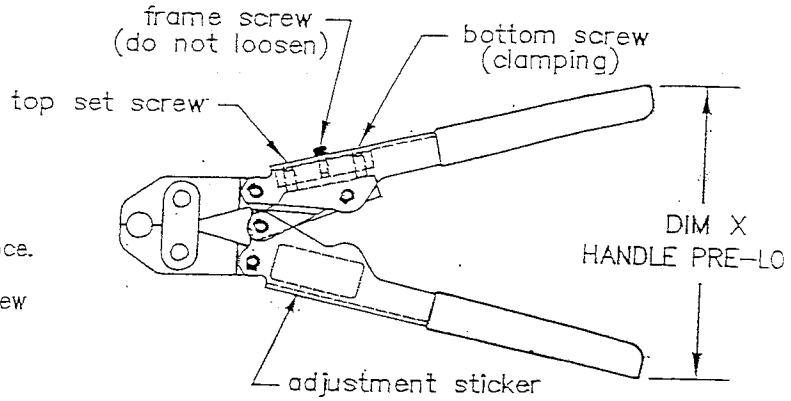


ADJUSTMENT PROCEDURE FOR:

9200 STM AND 9200 STL *Soft-Touch* MEDIUM AND LONG HANDLE TOOLS  
 16" (MEDIUM) AND 19" (LONG) OVERALL LENGTH

This tool is adjusted at the factory and no further adjustment should be required.

Should the tools, through extended use, require adjustment, wear in the parts may be compensated for as follows:



1. Close tool handles until pre-load is reached (this is the point at which jaws butt).
2. Measure the distance between the outside of the handles at the end of the handle grips. Dim X is the correct distance.
3. To increase the pre-load setting, loosen the bottom set screw slightly by turning counter clockwise. Then tighten the top set screw by turning clockwise until the preload distance is DIM X. Tighten the bottom set screw to clamp the setting.
4. Recheck the set distance after making three crimps.
5. Check the crimps with the crimp gauge provide. If satisfactory crimps do not result, the tool is likely worn and should be replaced.

In addition, always remember to:

1. Check tool calibration at least daily. It is recommended that at least the first and last crimp of the day are tested.
2. Never exceed the specified handle distance when adjusting your crimp tool. Premature wear will result.
3. Lubricate linkages on a regular basis to maximize tool life.

CATALOG NUMBER	DESCRIPTION	DIM X
9201 STM	3/8"	8" ± 1/4"
9202 STM	1/2"	8" ± 1/4"
9203 STM	3/4"	8" ± 1/4"
9204 STM	1"	10" ± 1/4"
9205 STM	1/2" & 3/4"	9 1/2" ± 1/4"
9206 STM	3/4" & 1/2"	9 1/2" ± 1/4"
9207 STM	5/8"	8" ± 1/4"
9201 STL	3/8"	9 1/2" ± 1/4"
9202 STL	1/2"	9 1/2" ± 1/4"
9203 STL	3/4"	9 1/2" ± 1/4"
9204 STL	1"	11 1/2" ± 1/4"
9205 STL	1/2" & 3/4"	10 1/2" ± 1/4"
9206 STL	3/4" & 1/2"	10 1/2" ± 1/4"
9207 STL	5/8"	9 1/2" ± 1/4"
9208 STL	1 1/4"	12 1/4" ± 1/4"

This warranty is null and void if the date coded adjustment sticker is removed

