

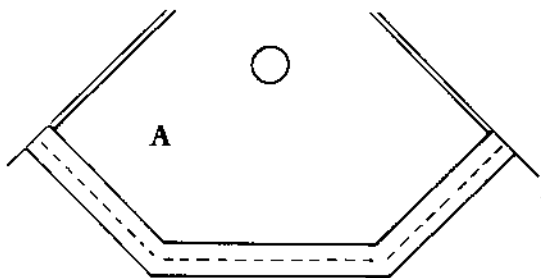
TUB-MASTER

Neo Wrap & Curved Wrap

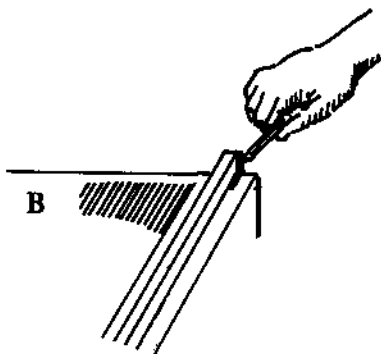
Installation Instructions



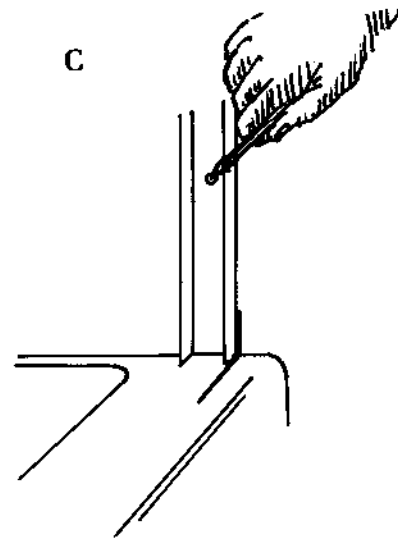
1. Read instructions completely before starting.
2. The bottom track has been cut to fit your unit. The track may not seat on the center line of the curb, it may be slightly forward or rearward (A). This is alright as long as all of the track is on the curb. If the track projects in front of the curb, cut a small amount from each end of the track until it fits.



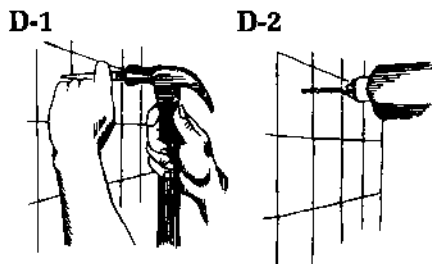
3. Position track and mark walls at the end of the track (B). Remove bottom track.



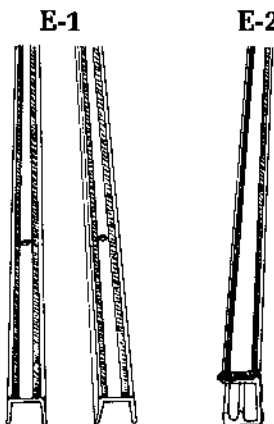
4. Align the plastic wall jambs with the mark against either wall, seat firmly on curb (file corner of jamb or remove some grout, if necessary, for a flush fit), and position vertically. Mark position of screw holes in each jamb (C) and repeat at opposite jamb.



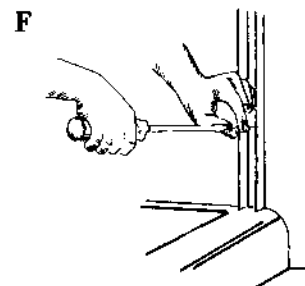
5. Remove the wall jambs. Center punch the tile surface (D-1). Drill 3/16" holes using a masonry drill bit (D-2). Insert plastic plugs into the holes. Clean the shower area of drill dust using denatured alcohol and clean cloth.



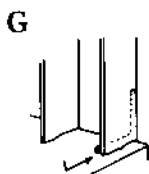
6. Apply two full length beads of silicone caulk to back of plastic wall jambs (E-1).



7. Fasten plastic wall jambs with screws (F).



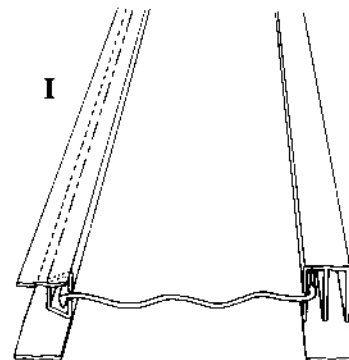
8. Apply caulk to inside of wall jambs at bottom (G).



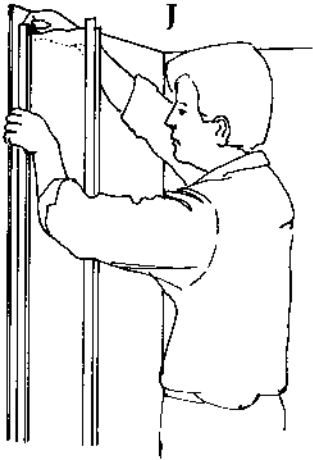
9. Apply caulk generously under bottom track (E-2). Press bottom track firmly into position between wall jambs (H).



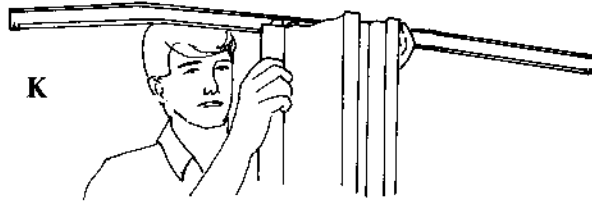
10. Insert the loose panel into the fixed panel snap jamb and fixed panel post (I).



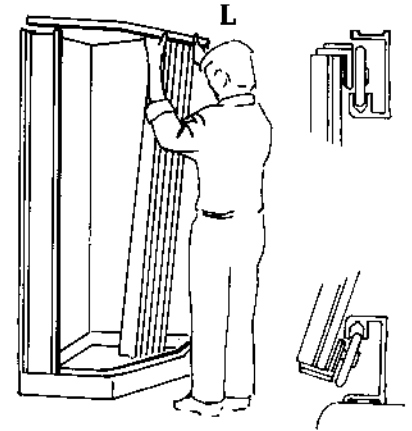
11. Snap the fixed panel assembly in place (J).



12. Hook the wheels of the door into the top track (K).



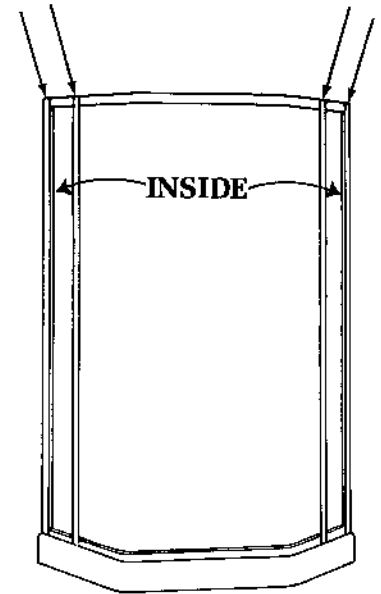
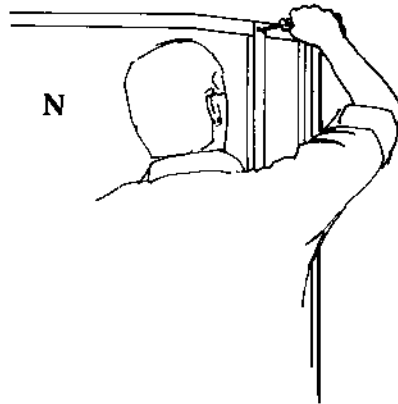
13. Hook the wheels of the door into the bottom track (L).



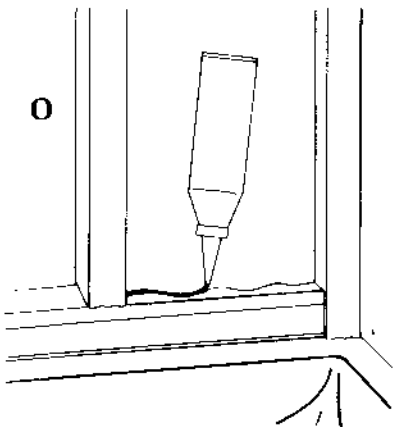
14. Insert the top track into one of the fixed panels and slide the door to that end. Insert the other end of the top track into the other fixed panel (M).



15. Secure fixed panels with small screws at top and inside (N).

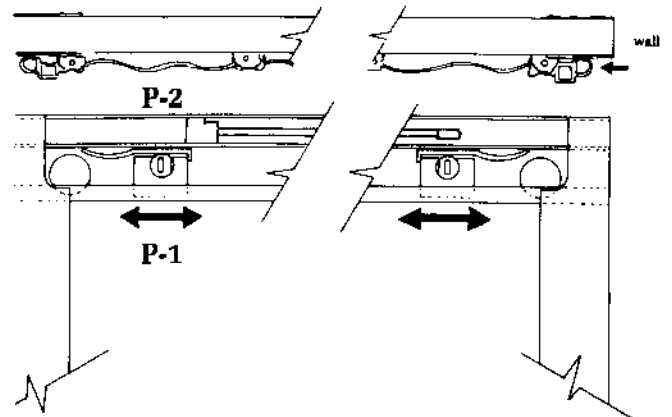


16. Apply a bead of silicone caulk to the inside bottom of the fixed panel (K).

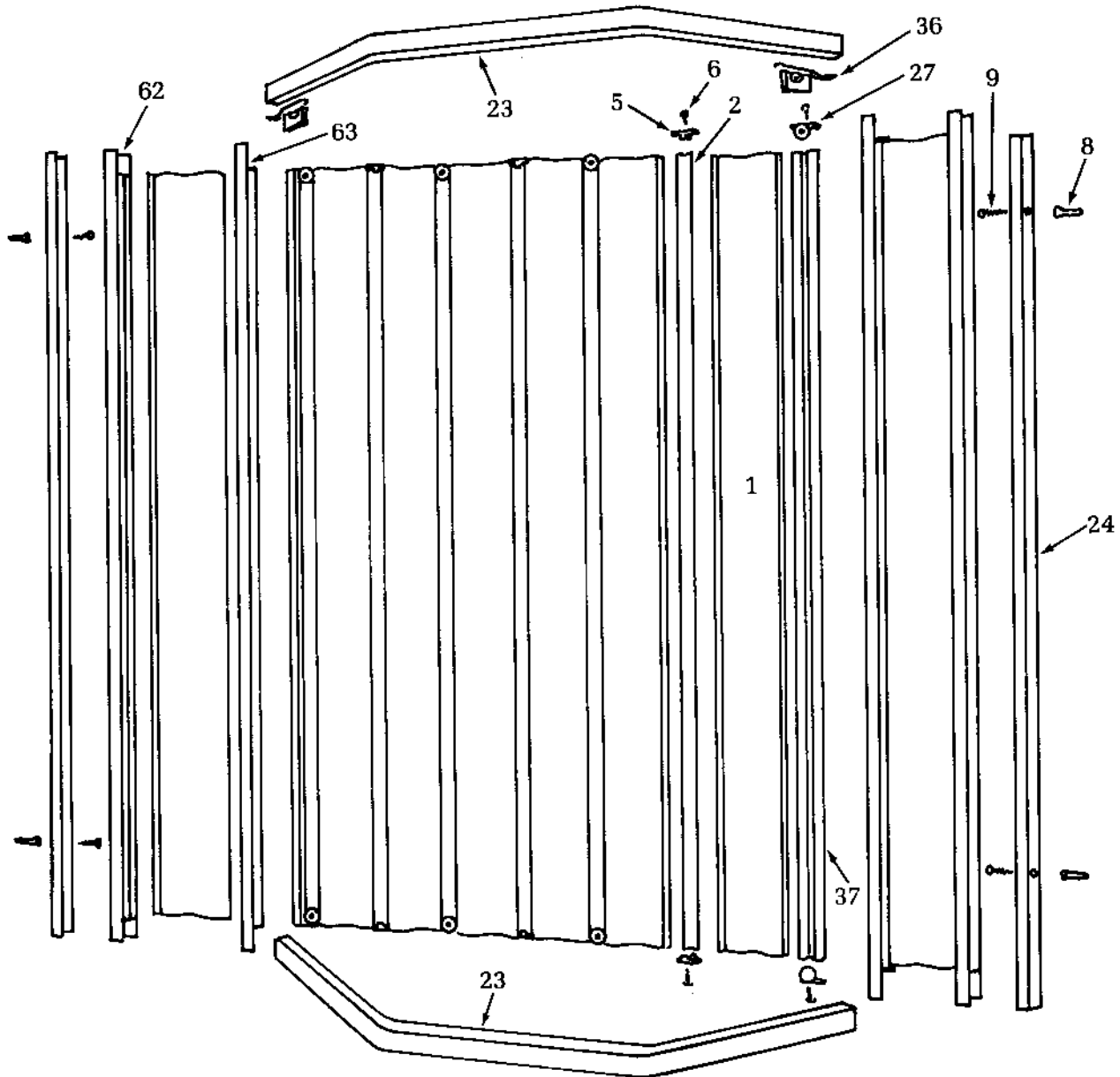


17. Your door will not extend to both walls. Extend the door and center it with the same distance from each wall. Position the wedge locks against the lead post wheels (P-1) and turn the cams with a screwdriver to lock in place (P-2)

Frequently spray all wheels with silicone for smooth operation.



TUB-MASTER MODEL NW & CW PARTS LIST



PART NO.	DESCRIPTION
1	Panel 4", 5", 6", 7", 8"
2	Hinge
5	Panel Stop
6	Panel Stop, Roller Bracket Screw
8	Installation Plug
9	Installation Screw
23	Top and Bottom Track
24	Plastic Wall Jamb
27	Roller
36	Wedge Lock
37	Lead Post
62	Fixed Panel Snap Jamb
63	Fixed Panel Post

MAINTENANCE

Clean with mild detergent and a soft cloth. Do not use harsh chemicals, petroleum base cleaners or abrasive material.

WARRANTY

TUB-MASTER products are warranted against failure resulting from defects in material in its manufacture as long as you own the home where it was originally installed. TUB-MASTER has a one year commercial warranty.

TUB-MASTER Corp. Home Office: 413 Virginia Drive, Orlando, Florida 32853-6925, 1-407-898-2881
Branch Plant: 1866 Lake Place, Ontario, California 91761-5788, 1-714-947-0777