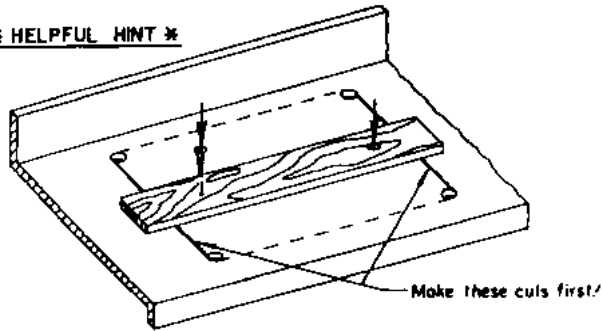


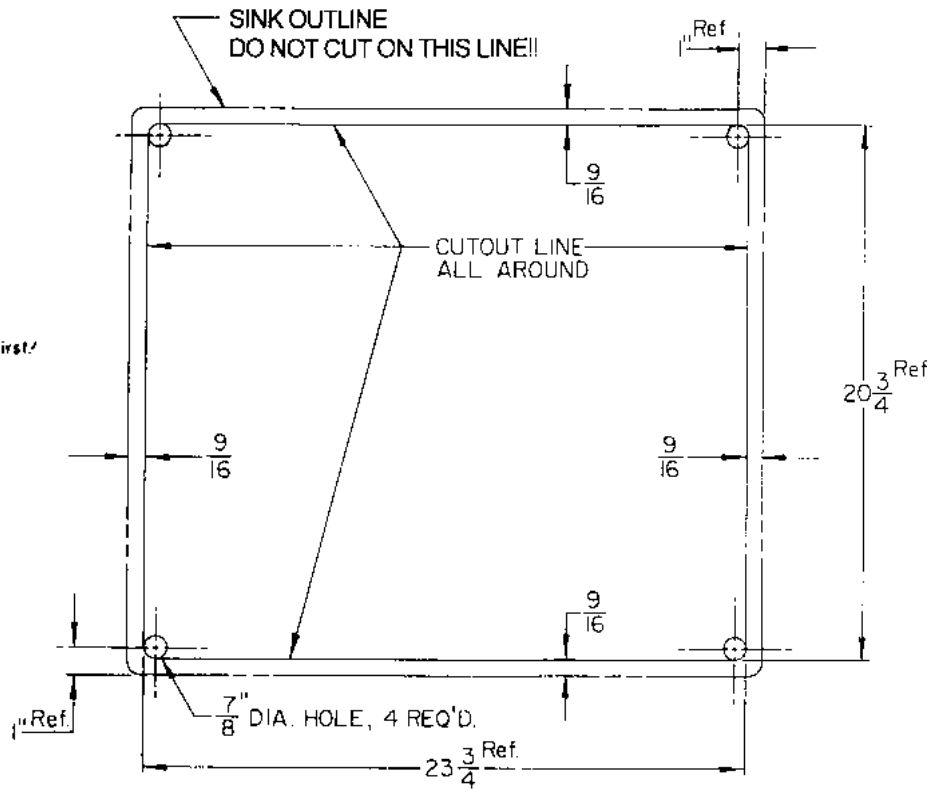
COUNTERTOP CUTOUT DETAILS

CUTOUT FOR: "BASKET TYPE" INSTALLATION

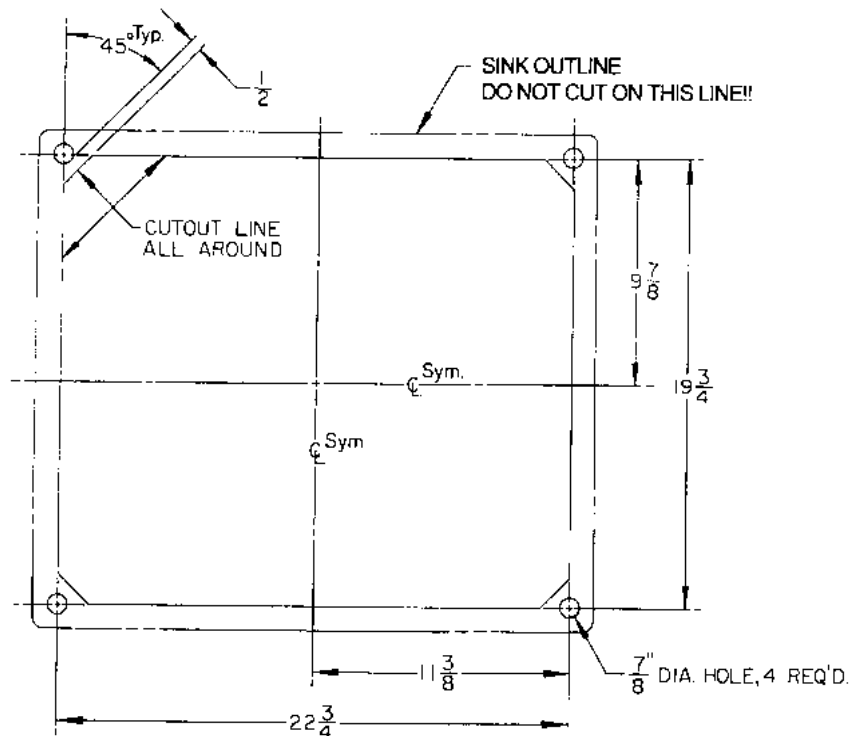
* HELPFUL HINT *



After making cuts along sides of cutout, secure a board as shown to prevent cutout from possibly damaging countertop or prematurely dropping.

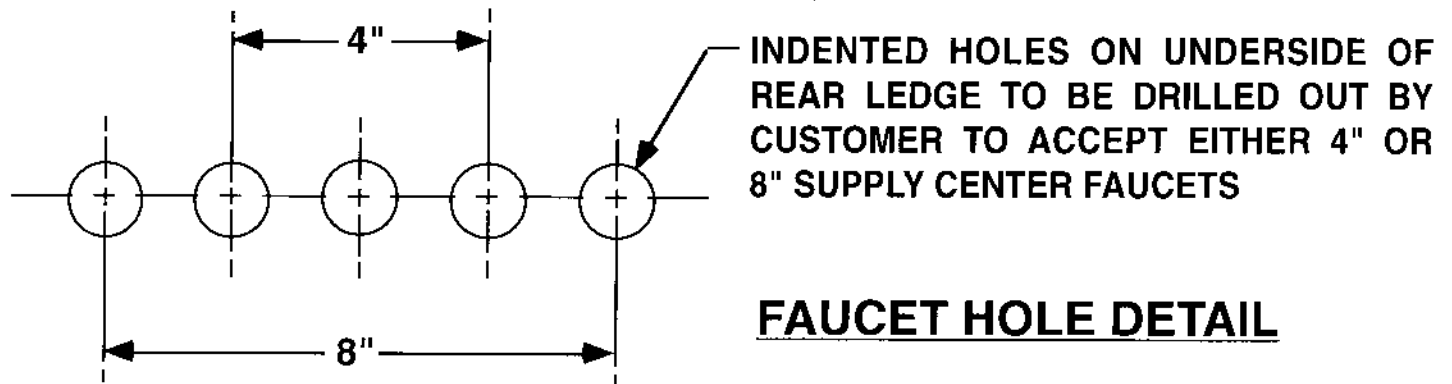


CUTOUT FOR: FOOD/WASTE DISPOSAL INSTALLATION

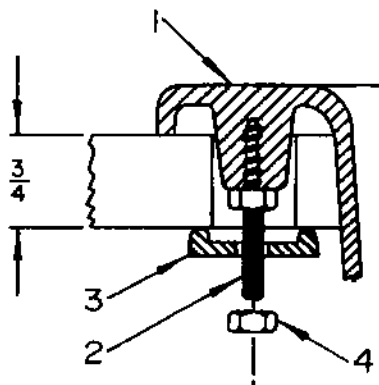


IMPORTANT:
MEASURE ACTUAL CASTING BEFORE DOING
ANY CUTTING / DRILLING OF COUNTERTOP!

3. The rear ledge of your **Countertop Sink** will accept many different faucets: 4" CenterSet on center, 4" CenterSet either right or left, 8" CenterSet on center. Depending on the model faucet you choose, the appropriate holes will have to be drilled. You will notice that there are five indented hole locators molded-in on the underside of the rear ledge. Do not cut out faucet holes until you have measured the actual faucet (some single lever faucets require a large center/supply hole and small diameter mounting holes). A 1" diameter fine-tooth hole saw with center drill pilot would normally be used for the majority of faucet hole drilling. Drill from the underside of rear ledge to mark center, turn upright to finish cutting with hole saw from the top side.



4. Install "Basket" Style Drain Assembly or Disposal Unit per manufacturers instructions. The **Countertop Sink** is furnished with a 3 1/2" diameter drain hole.
5. Install Mounting Studs (2) in each corner lug –CAUTION–DO NOT OVERTIGHTEN!! A standard 5/16" socket or wrench is required. Screw stud in place until nut makes contact with bottom of lug – continue 1/4 turn, maximum. Repeat this operation for each mounting lug. –See "TYPICAL STUD INSTALLATION"



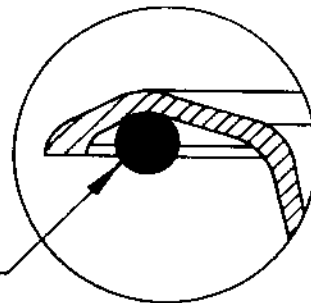
TYPICAL STUD INSTALLATION

6. Apply a bead of clear siliconized sealant* (not furnished) all around the underside of the rim – See Detail Drawing. Place **Countertop Sink** into the countertop cutout, secure from the underside with hardware provided. You will need a 7/16" socket or wrench to secure Mounting Nuts (4) in place. Wipe away any excess sealant that squeezes out during tightening.

*Siliconized Sealant such as:

CELULON™ Plumbing & HVAC
Adhesive Sealant by Red Devil®

APPLY A BEAD OF SILICONIZED SEALANT* APPROXIMATELY 3/8" DIAMETER THIS AREA, ALL AROUND UNDERSIDE OF RIM.

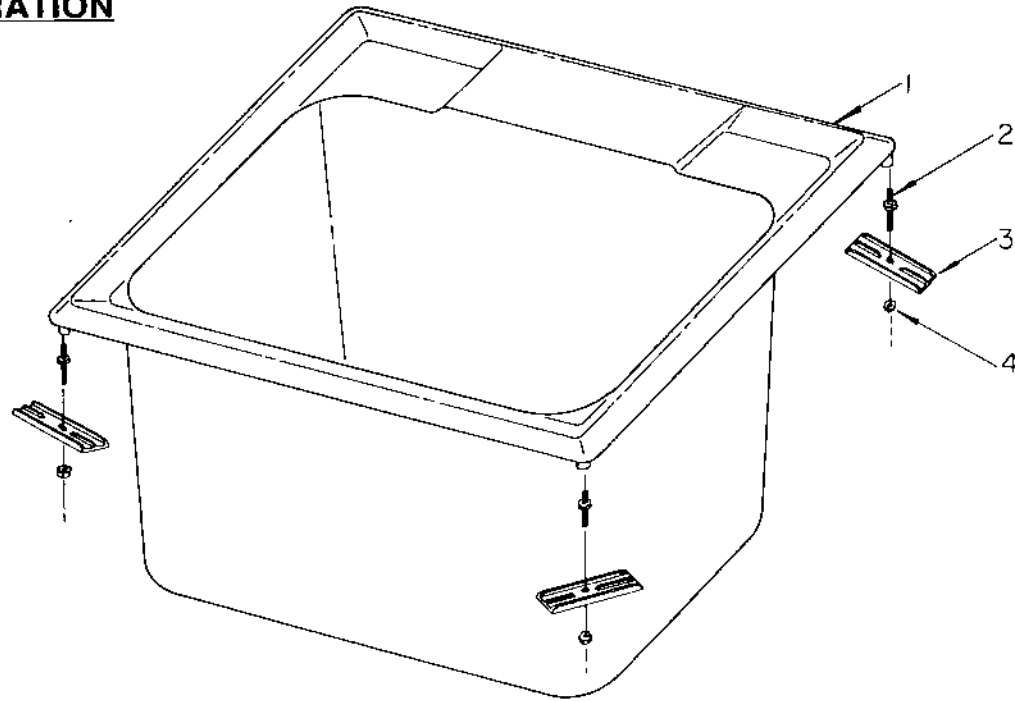


7. Complete water supply and proper sanitary waste trap connections as specified by local code requirements.

MUSTEE COUNTERTOP SINK "SELF RIMMING"

MODEL 10C

PARTS ILLUSTRATION



PARTS LIST					
KEY NO.	PART NUMBER				DESCRIPTION
	WHITE	BONE			
1	10.107C	10.108C			Self Rimming Sink
2	*	*			Mounting Stud (4 Required)
3	*	*			Mounting Plate (4 Required)
4	*	*			Mounting Nut (4 Required)

***NOTE:** FOR REPLACEMENT HARDWARE, ORDER COMPLETE PARTS PACKAGE PART NO. 20.603 – PACKAGES WILL NOT BE SPLIT FOR INDIVIDUAL PARTS.

CARE AND CLEANING

The surface of your **Countertop Sink** may be cleaned with a mild soap in warm water using a soft cloth. For stubborn stains use "Soft-Scrub" by Clorox or Lysol "Tub & Tile Cleaner" or a powdered detergent such as "Spic-n-Span". Never use abrasive scouring powder or steel wool pads as they will dull the surface. A periodic coating of a silicone based marine polish will help retain the fine finish.

E.L. MUSTEE & SONS, INC.

5431 West 164th Street • Cleveland, Ohio 44142

SI-185(1•98)