

24 UTILATWIN® Laundry/Utility Tub

Floor Mount ■ Economy

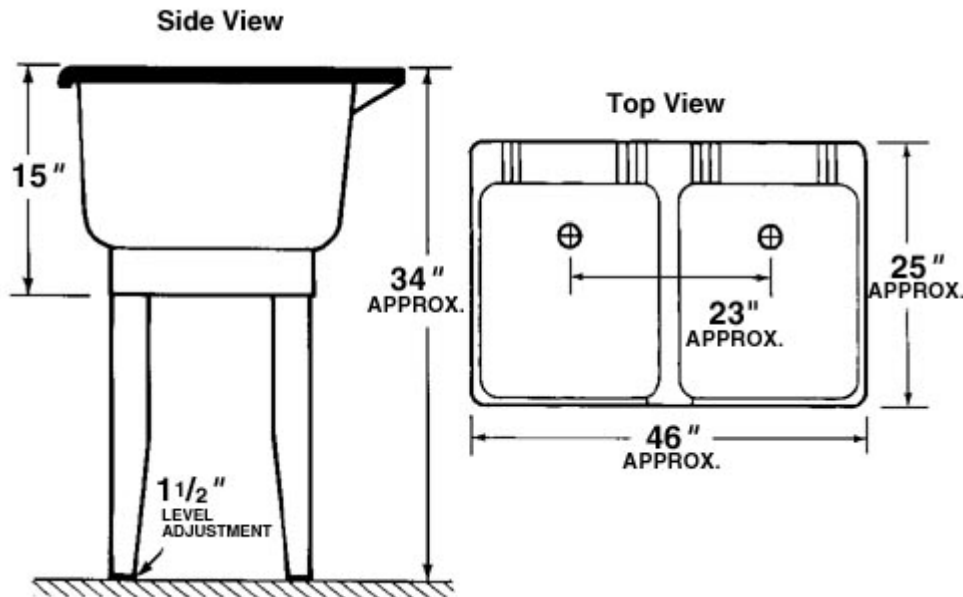


24 UTILATWIN® Laundry/Utility tubs — Economy

- Two Model 14 Tubs Joined with Molded Divider Strip
- Co-PolyPure™ Molded Tubs, 20 Gallon Capacity per Tub, 13" Deep
- Include Twin Drain Waste Connector — joins drain assemblies, assures rapid and uniform discharge of waste water, washers and slip nuts provided
- Leakproof, Integrally Molded-in Drains with Stoppers
- Hooks Up Standard 1-1/2" P or S Trap
- Accommodates Dual-handle Faucet with 4" Center
- Include Leg Levelers — for uneven floors
- Smooth Surface, Rust Resistant
- Easy to Assemble and Install
- Preferred by the "Pros"

SPECIFICATIONS

Model No.	Mounting	UPC
24	Floor	6 71031 00044 6



General: Furnish and install as shown on plans, UTILATUB® Laundry/Utility Tub model 24, as manufactured by E.L. Mustee & Sons, Inc. Tub shall consist of two Co-PolyPure™ Tubs joined by molded divider strip, complete with twin drain waste connector and floor mounting hardware. White color, 29 lbs.