

10C DURASTONE® Countertop Specialty Sink Premier



10C DURASTONE® Specialty Countertop Sink — Premier

- Made with DURASTONE® — "hi-impact" fiberglass and crush stone blended with special resins for extra strength and durability
- 17 Gallon Capacity, Extra Deep Bowl — self-rimming
- 3-1/2" Reinforced Drain Opening — fits standard basket drain assembly (not included)
- Hooks Up to Standard 1-1/2" P or S Trap
- Accommodate Single or Dual-Handle Faucet With 4" or 8" Center
- Available in White, Bone, and Biscuit
- Stain Resistant, Semi-gloss, Colorfast, Easy to Clean
- Preferred by the "Pros"

Code Accepted

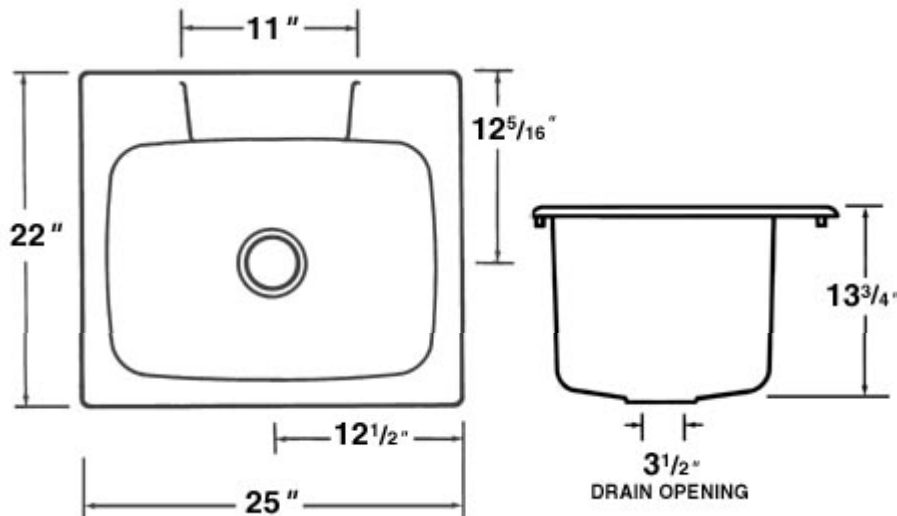
Utility sinks meet or exceed performance requirements:

- International Association of Plumbing and Mechanical Officials (IAPMO®)— listed file #0820
- Warnock Hersey® (canada) — csa #b45.0 and #b45.5
- American National Standards Institute (ANSI)— specification z 124.6



SPECIFICATIONS

Model No.	Color	UPC
10C	White	6 71031 00300 3
10CBN	Bone	6 71031 00301 0
10CBT	Biscuit	6 71031 00348 5



General: Furnish and install as shown on plans a Countertop Sink Model 10C as manufactured by E.L. Mustee & Sons, Inc. Material composition shall be molded fiberglass, using matched metal dies under heat and pressure. One-piece, seamless construction with self-rimming edge and complete 3-1/2" drain opening. Shall meet ANSI Specification Z 124.6. Overall size 22" length x 25" width x 13-3/4" depth, weight 14 lbs., Color: _____ (White, Bone, Biscuit).