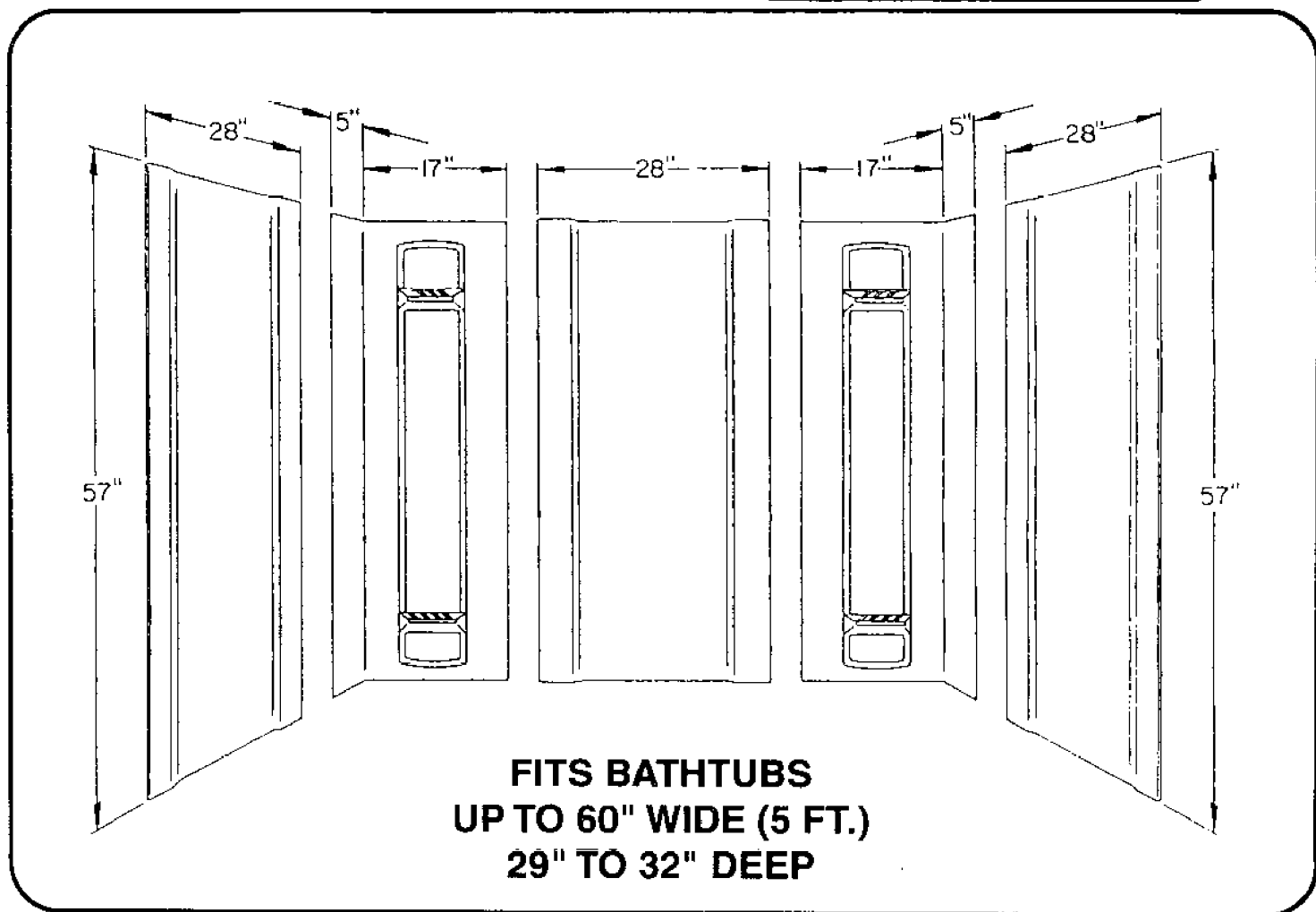


MUSTEE DURAWALL® 5 PC. BATHTUB WALLS

INSTALLATION INSTRUCTIONS

MODEL 557

FIBERGLASS



TOOLS AND MATERIALS NEEDED:

- Electric or Hand Drill
- Tape Measure
- Mineral Spirits
- Hole Saw
- Level (24" Min.)
- Adhesive*
- Caulking Gun
- Pencil
- * Recommend LIQUID NAILS® for TUB SURROUNDS & SHOWER WALLS (LN-915)
- Caulking
- Masking Tape (2" wide)

NOTICE:

We recommend that tub/shower compartments be equipped with support Grab Bars that comply with the most recent edition of ANSI-A117.1 requirements. Grab Bars must be anchored to structural support behind panels. Do Not rely on panels only for grab bar support!

PREPARATION:

We do not recommend installing the Durawall® Bathtub Wall Panels over any existing tile surfaces. The Durawall® Bathtub Wall may be installed over drywall, plaster, painted walls, plywood, or any solid wall - not open studs. Wall surfaces must be clean, dry and free of grease, dust and loose or flaky paint or plaster. Shiny smooth surfaces should be sanded or scratched to insure a positive bond.

E.L. MUSTEE & SONS, INC.

5431 West 164th Street • Cleveland, Ohio 44142

SI-193 (12*01)

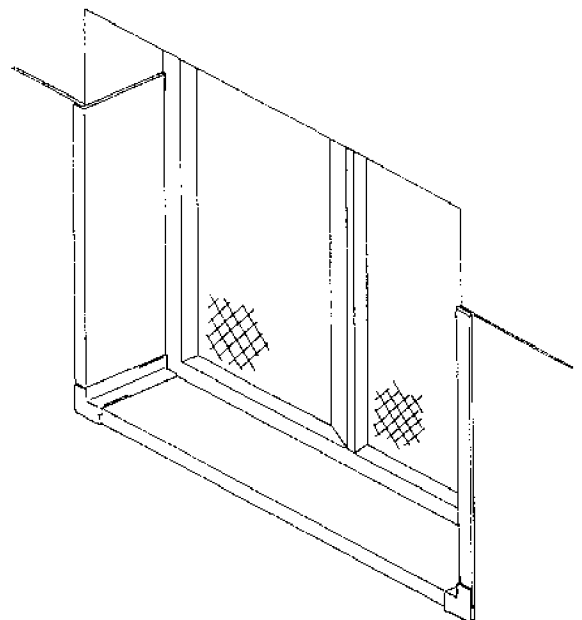
MUSTEE DURAWALL[®] 5 PC. BATHTUB WALLS

INSTALLATION INSTRUCTIONS **MODEL 557** **FIBERGLASS**

5. Clean any excess adhesive immediately with mineral spirits, then wash area with a soap and water solution to neutralize solvent. Allow adhesive to cure for 24 hours before proceeding.
6. Caulk around all edges and seams using a quality "tub & tile" sealant. Remember to caulk around faucet spout and handle hole(s). Replace all plumbing fixtures and allow caulk to cure before using tub or shower.

MODEL 300.600W WINDOW TRIM KIT (SOLD SEPARATELY)

- 5 - PC. FIBERGLASS KIT ACCOMODATES WINDOWS UP TO 36" WIDE x 8" DEEP.
- SMOOTH, EASY TO INSTALL PANELS PROVIDE WATERPROOFING FOR WINDOWS IN BATHTUB ALCOVE.



CARE AND CLEANING:

The surface of your Durawall[®] Fiberglass Bathtub Walls may be cleaned with a mild soap solution in warm water using a soft cloth. For stubborn stains use "Soft-Scrub" by Clorox or Lysol "Tub & Tile Cleaner" or a powdered detergent such as "Spic-n-Span". Never use abrasive scouring powder or steel wool pads as they will scratch the surface. A periodic coating of a silicone based marine polish will help retain the fine finish.

Warning:

Do not use spray-on cleaners that require daily use without immediately rinsing to stop chemical reaction. Damage will result and void warranty.

E.L. MUSTEE & SONS, INC.

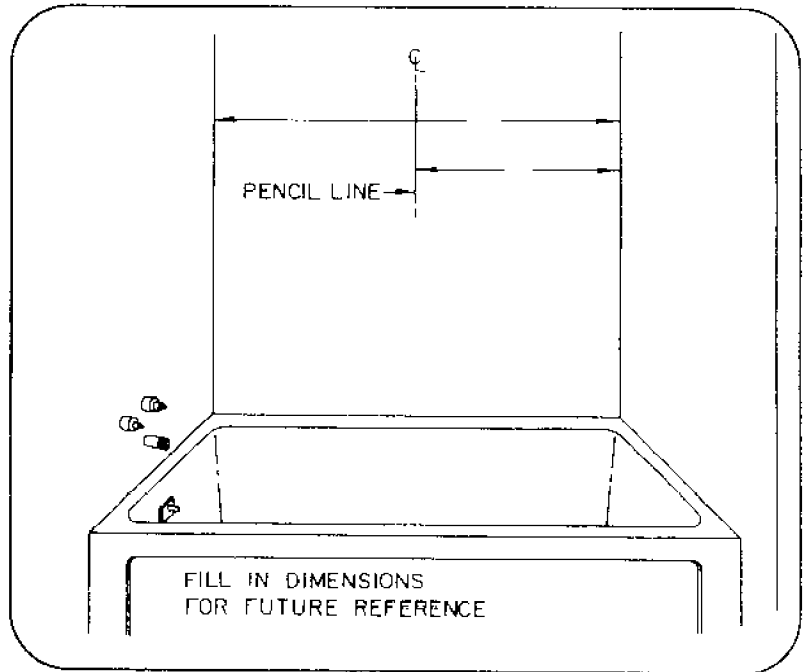
5431 West 164th Street • Cleveland, Ohio 44142

SI-193 (12•01)

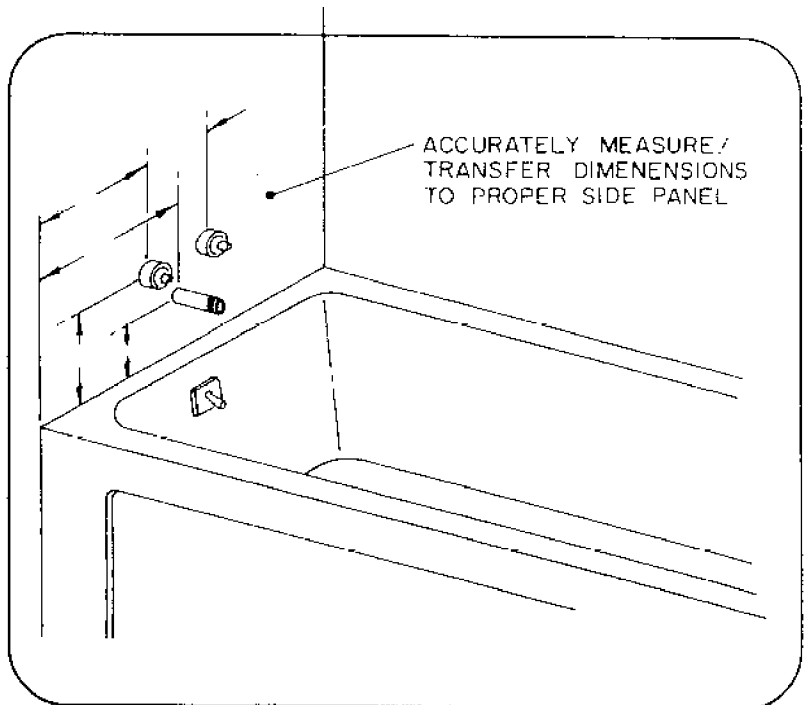
INSTALLATION

Read instructions thoroughly before attempting installation. Package should be stored at room temperature (68°F - min.) for at least six hours prior to installation. Turn off water supply to bathtub - remove existing control valve handle(s), cover plates and filler spout. If shower head is mounted less than 57" from top of bathtub, it must also be removed. NOTE: **Corner Panels** must be installed first. **Center** and **Side Panels** overlap the **Corner Panels**. Trial fit all five panels before applying adhesive to panels.

1. Measure bathtub alcove to find center of backwall. Scribe a light pencil line at this point (at least 58" above top of bathtub). Remove any objects that protrude into bathtub alcove area below 58" such as soap dishes or towel bars. Measure and lightly mark the center of the top edge of one of the flat panels - this will become the center panel.

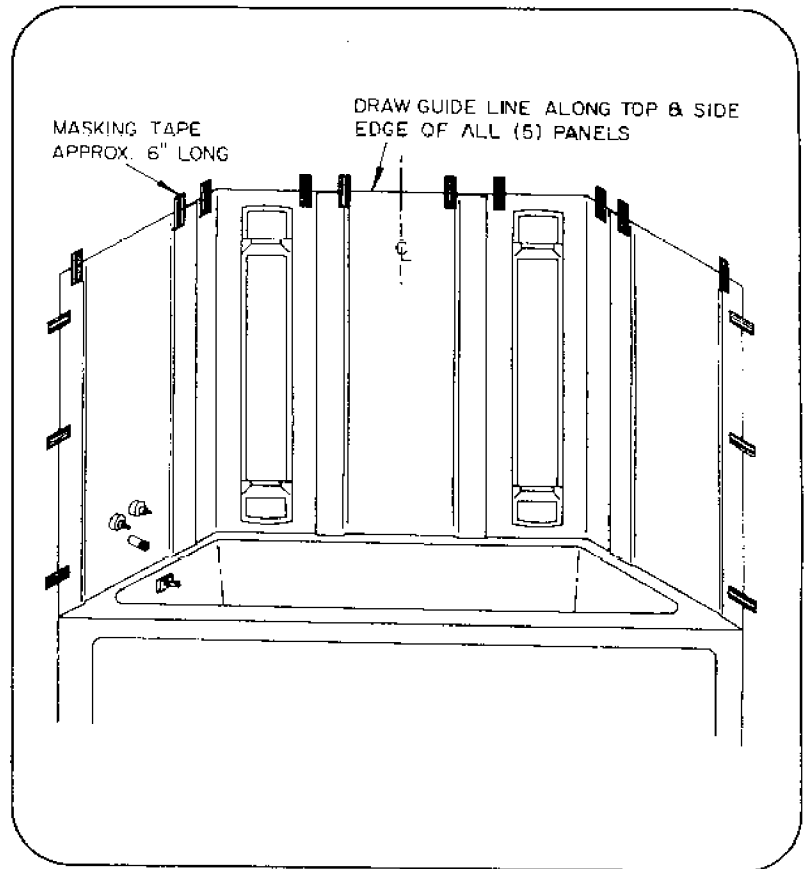


2. Accurately measure tub spout and handle(s) hole location on alcove side wall and transfer dimensions to one of the remaining flat panels. Measure from front edge of bathtub. You may want to make a template (use shipping carton) to check hole layout before you cut holes into side panel. After you have double checked your measurements, using the proper size drill or hole saw, cut out holes for outlets. Cut from front (finished) surface.



TRIAL FIT • NO ADHESIVE

3. Set **Corner Panels** in place, resting bottom edges on bathtub rim. Use masking tape as shown to temporarily hold panels in place. Position previously marked Center Panel so that mark on panel aligns with centerline on back wall. Temporarily tape panel in place. Tape remaining Side Panels in place making sure front edges are vertically plumb and aligned with front edge of bathtub. Check panel overlaps (should not exceed 4 1/4") and trim corner panels if necessary. **NOTE: Do not trim flat panels.** With all (5) panels in place, draw a light guide line along top and side edges of panels. These will be your reference lines for permanently installing panels. Carefully remove tape and panels from alcove area.



4. Apply a 1/8" diameter bead of adhesive directly to Corner Panels using a random "zig-zag" pattern. Install panels being sure to follow adhesive manufacturer's recommendation on 'venting'. **IMPORTANT:** Any molding/body oils on panel overlap area may affect adhesive bond. Be sure to clean overlap area of both panels with rubbing alcohol prior to installing 'flat' panels.

NOTE: If installing tub enclosure or curtain rod through wall panels, be sure to use extra adhesive where enclosure/curtain rod will mount to help reinforce panel offset.

