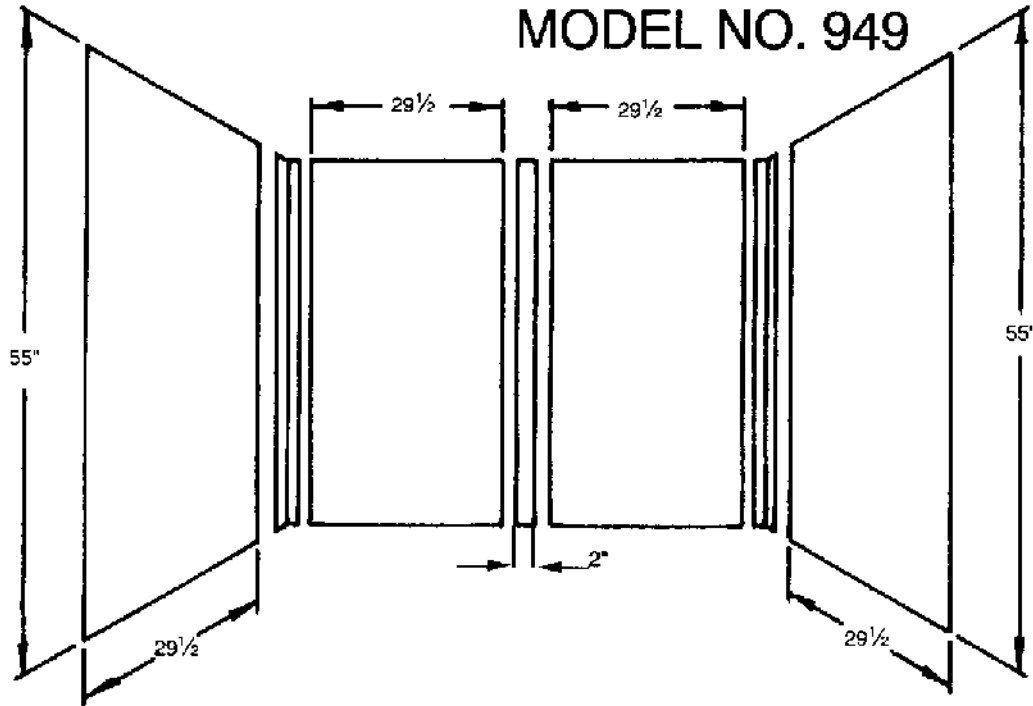


# BASIC WALL™ BATHTUB WALLS

# Stylemate®

## MODEL NO. 949



### TOOLS REQUIRED

Tape Measure  
Razor Knife  
Straight Edge/Level  
Drill  
Drill Bits/Hole Saw  
Caulking Gun  
Spreader or Trowel

### MATERIALS REQUIRED

Drywall/Panel Adhesive — 11 oz. Cartridges — 3 req'd.  
Caulking/Sealer — Waterproof — 11 oz. Cartridge  
Masking Tape  
\*Cleaner

\*Follow Drywall/Panel Adhesive Manufacturer's recommendations for removing excess adhesive and cleanup

### NOTICE:

We suggest that tub/shower compartments be equipped with support handrails that comply with ANSI-117.1-1986 requirements.

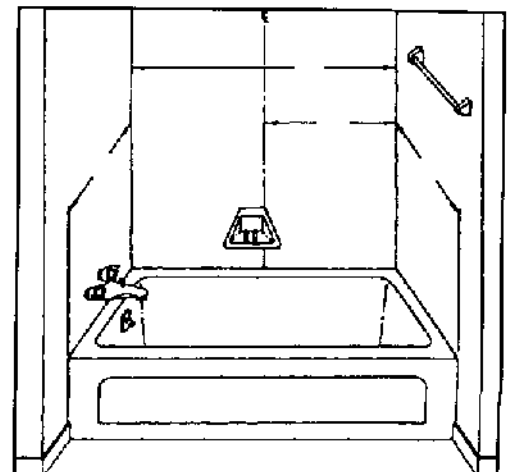
### INSTALLATION:

Read instructions thoroughly before attempting installation. Place some sort of protective cover (may be cut from carton) on the floor of bathtub to protect finish.

1. Determine the size of your bathtub, measure along the top of the tub at the back and side walls. This wall unit is designed to fit a standard 5 ft. bathtub without any trimming. Turn off both hot and cold water supply to bathtub. Remove the existing fixture trim, spout, handles and any soap dishes or towel racks that protrude into the alcove area. Before applying panels, be sure all surfaces are clean, fairly smooth, and dry.

### **NOTE !!!**

Requires three 11 oz. cartridges of top-grade panel adhesive for bonding polystyrene or polystyrene foam materials. Don't use adhesives containing tar, asphalt, lacquer thinner or toluene.



SI-115 (8-94)

- To determine if any trimming will be required on your bathtub wall panels **BEFORE APPLYING ADHESIVE!!** Draw a light pencil line approximately  $55\frac{1}{8}$ " above top rim of bathtub on both side and back walls. These lines will be your guide when you are ready to permanently install the panels.

#### **BACK PANELS:**

Set one (1) Back Panel in place, push tight into right corner, align top edge with guide line, temporarily tape in place (masking). Follow the same procedure for the remaining back panel — be sure to push tight into left corner.

#### **SIDE PANELS:**

Follow the same procedure for positioning the Side Panels as you did for the back panels. Remember to align top edge with guide lines and also to push tight into corners. The side panel for the fitting end of the tub will have to be carefully measured, marked and drilled to accept the valve stems, spout nipple and possibly spray head nipple. **BEFORE DOING ANY DRILLING OR CUTTING, RECHECK YOUR DIMENSIONS.**

#### **PERMANENT INSTALLATION:**

- Apply a bead of caulking into each corner before installing panels. Apply adhesive to Back Panel, approx.  $\frac{1}{4}$ " dia. bead, spread adhesive to a thin layer—this method distributes the adhesive over a greater area and also improves the bond. Align panel with prescribed, pencil guide lines, push tight into corner (caulking). Repeat procedure for remaining panels. Install center finishing strip.
- Caulk all edges of your bathtub walls and remember to caulk valve holes.
- Reinstall valve stem handles and tub spout, turn on both hot and cold water supply to bathtub.

#### **SPECIAL NOTICE!**

After cleaning excess adhesives from overlap joints with the proper solvent as specified by adhesive manufacturer — **IMMEDIATELY WASH UNIT COMPLETELY WITH SOAP & WATER SOLUTION.** This will neutralize any continuing chemical reaction between the solvent and wall material. **FAILURE TO WASH AWAY SOLVENT MAY CAUSE BLEACHING OR LOSS OF COLOR IN WALL MATERIAL.**

**Stylemate®**  
MODEL NO. 949

