

## 51 DURAWALL® Bathtub Walls

Thermoplastic ■ Deluxe

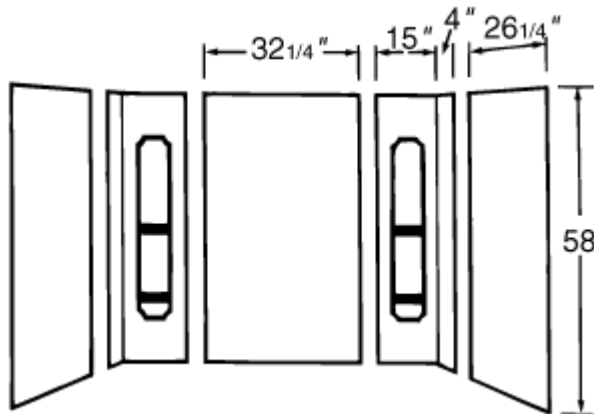


### 51 DURAWALL®

- Fit Standard 5 ft. (or less) Bathtub
- 5 Panels, Seamless Corners, 4 Shelves
- Available in White and Bone
- Adapt to Uneven Walls
- Can be Cut Out for Window
- Smooth Glossy Finish, Mildew Resistant
- Scuff Resistant, Uniform Color
- Includes Adhesive
- Easy to Clean

### SPECIFICATIONS

Model No.	Color	UPC
51WHT	White	6 71031 00184 9
51BN	Bone	6 71031 00183 2



General: Furnish and install as shown on plans DURAWALL® Bathtub Walls, model 51, as manufactured by E.L. Mustee & Sons, Inc. The hi-impact thermoplastic wall system shall be five-piece construction with four formed shelves and one-piece, seamless corner panels with overlapping edges and have uniform color throughout entire thickness. Color \_\_\_\_\_ (White, Bone). Weight 25 lbs., cubic feet 5.0. Install in compliance with local codes.

Carton Contains: Center panel, two end panels, two corner panels, adhesive and instructions. Carton is 33"x59-1/2"x4".