

DURASTALL[®]



SHOWER STALL

ASSEMBLY • INSTALLATION • REPAIR PARTS

FOR ONE OF THE FOLLOWING MODELS:

MODEL: 80 (32") 140 (36")

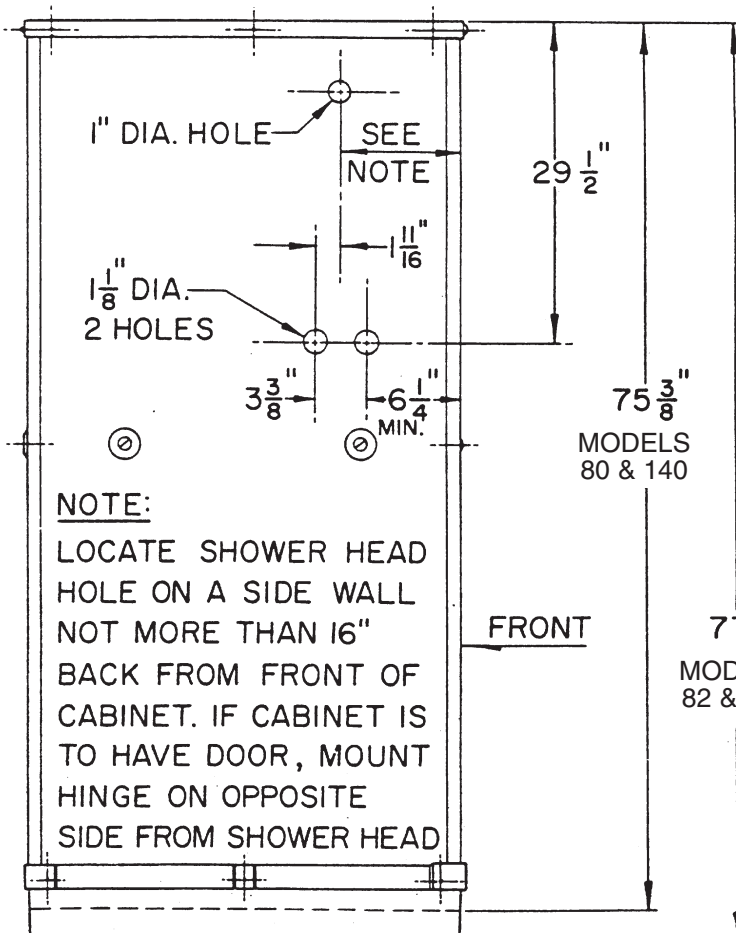
Cabinet (rigid corners) with Standard Base complete with Curtain and Valve assembly.

MODEL: 82 (32") 142 (36")

Cabinet (rigid corners) with Extended Base complete with Curtain and Valve assembly.

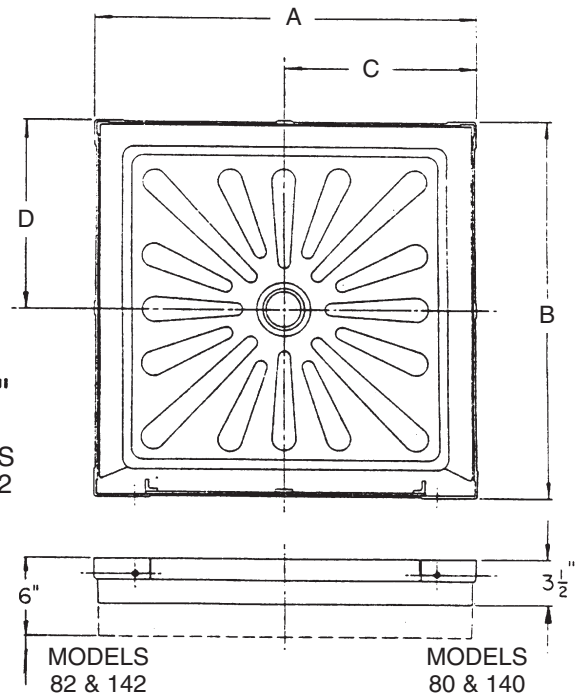
ROUGH-IN:

NOM. SIZE	MODEL NO.	DIMENSION			
		A	B	C	D
32"	80 & 82	32-5/8"	32-5/8"	16-5/16"	16-5/16"
36"	140 & 142	36-5/8"	36-5/8"	18-5/16"	18-5/16"



NOTE:

LOCATE SHOWER HEAD HOLE ON A SIDE WALL NOT MORE THAN 16" BACK FROM FRONT OF CABINET. IF CABINET IS TO HAVE DOOR, MOUNT HINGE ON OPPOSITE SIDE FROM SHOWER HEAD



1. Suspend Center Panel off floor. Angle **Corner Lock Strip** slightly, and engage a short section of **Center Panel** into **Lock Strip** channel making sure smooth (gloss) side of panel will be on inside of shower stall. Align top edge of **Corner Lock Strip** with top edge of **Center Panel**. After total length of **Lock Strip** has been started, secure the strip by tapping from top to bottom with a mallet or hammer handle. Repeat procedure for remaining **Lock Strip**. (FIG. 1)

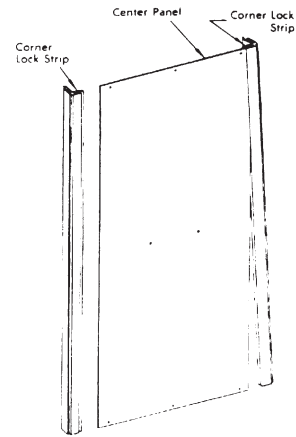


FIG. 1

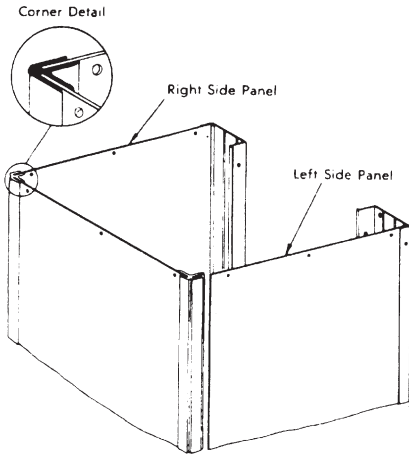


FIG. 2

2. Suspend **Right Side Panel** and **Center Panel Assembly** off floor. Working from outside, angle **Center Panel Assembly** slightly to start engagement. Engage a short section of the **Side Panel** and align so that top edge of panel is even with the top of the **Corner Lock Strip**. After total length of **Locking Strip** has been started, secure the strip in place by tapping from top to bottom. Repeat procedure for **Left Side Panel**. (FIG. 2)

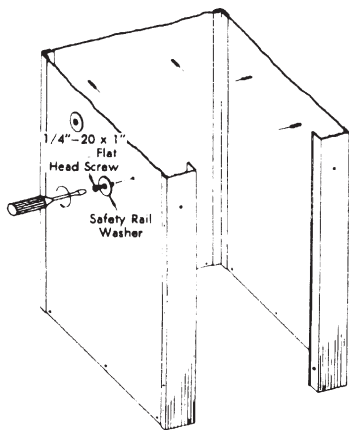


FIG. 3

3. Insert a **1/4"-20 Flat Head Machine Screw** through the hole in molded **Safety Rail Washer**. Note that there are two holes punched in the center of each panel. Screw a washer/screw assembly into each hole from outside as shown. **Do not overtighten!** (FIG. 3)

4. Before installing **Safety Rail**, place a "U" nut on each end of **Safety Rail** making sure flat surface is on outside as shown. Position **Safety Rail** inside cabinet so that each end is located between the two ribs on the inside of the front support extrusions. Use a **#10 x 5/8" Truss Head Screw** to secure both ends of the **Safety Rail** through the pre-punched holes in the front supports. Position side and rear mounting pods of **Safety Rail** onto previously installed mounting screws. Place a **1/4"-20 Flanged Nut** on each mounting screw and tighten securely using a **7/16" wrench**. (FIG. 4)

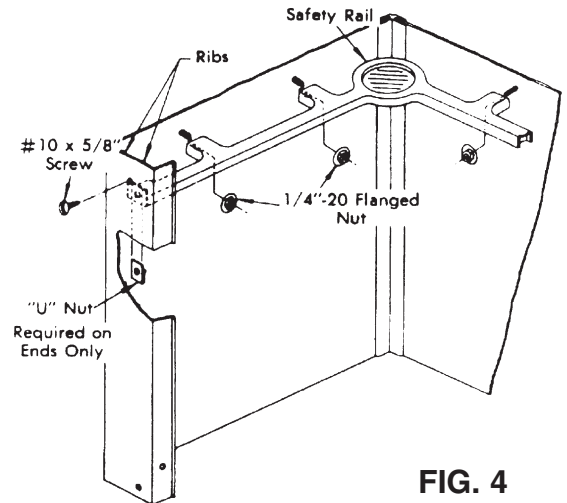


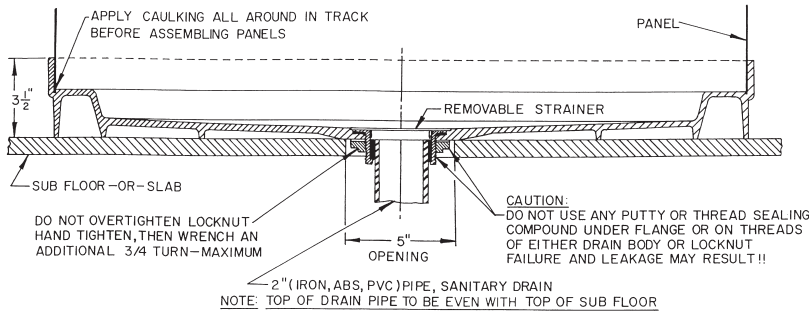
FIG. 4

BEFORE PROCEEDING TO STEP 5, POSITION BASE IN PERMANENT LOCATION — SEE BASE INSTRUCTIONS

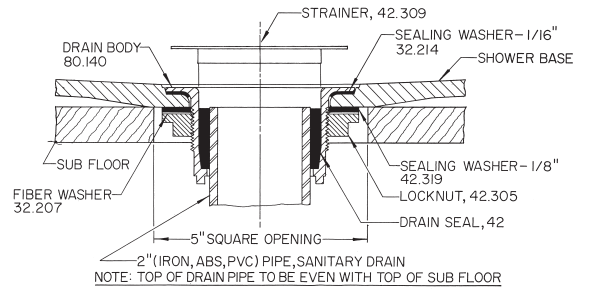
NOTICE: Standard Base is for use with Mustee free-standing cabinets only! NOT for “built-in” alcoves!

STANDARD BASE

- A. Check shower base carefully making sure it is not damaged. Refer to the “rough-in” drawing and determine location of shower base.
- B. Assemble drain to shower base (see illustration) using all washers provided. Do not use any putty or thread sealant on either drain body or locknut. Hand tighten locknut, then wrench an additional 3/4 turn – maximum.
- C. Provide a 5” square opening in sub-floor or slab. This opening is to be located at center of shower base location. Drain connection requires a 2” waste pipe (Schedule 40 PVC-DWV). Top of waste pipe must be even with top of sub-floor or slab.
- D. Place shower base directly on sub-floor or slab. Make sure it is level!
- E. Seal waste by installing drain seal around 2 inch waste pipe. Tamp in place to bottom of drain body using a 1/4 inch diameter rod. Make sure top of drain seal is even with top of 2” waste pipe as shown in sectional view and in full compliance with local code regulations pertaining to below floor waste connections.

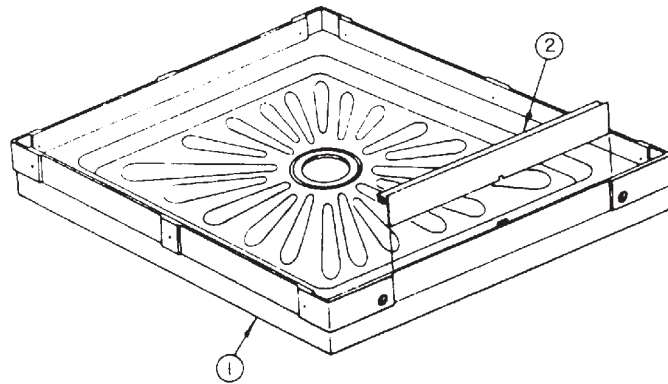
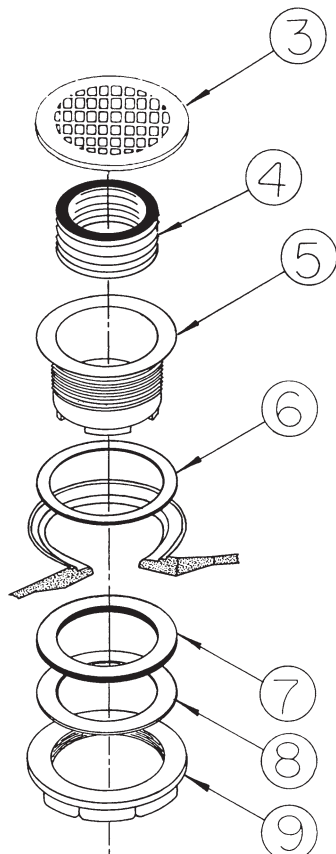


**SECTIONAL VIEW
STANDARD BASE**



DRAIN SECTION

PARTS ILLUSTRATION



PARTS LIST

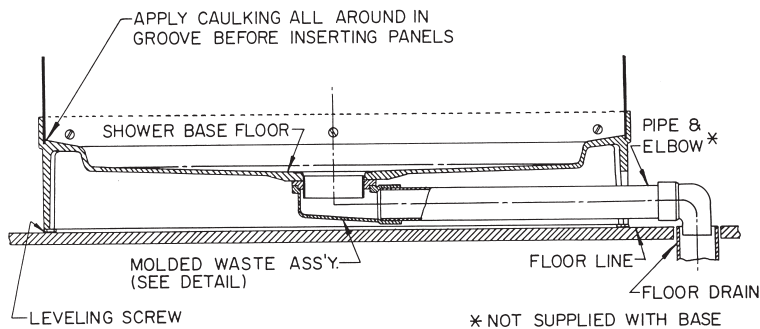
KEY NUMBER	PART NUMBER		DESCRIPTION
	MODEL 80	MODEL 140	
1	70.102	40.1030	Shower Base
2	70.207	40.210	Threshold
3	42.309	42.309	Strainer
4	42	42	Drain Seal
5	80.140	80.140	Drain Body
6	32.214	32.214	Sealing Washer - 1/16"
7	42.319	42.319	Sealing Washer - 1/8"
8	32.207	32.207	Fiber Washer
9	42.305	42.305	Locknut

Note: For missing or replacement parts, contact Mustee Customer Service @216.267.3100

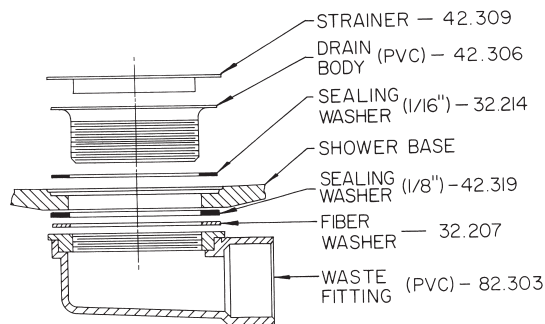
NOTICE: Extended Base is for use with Mustee free-standing cabinets only! NOT for “built-in” alcoves!

EXTENDED BASE

- A. Check shower base carefully making sure it is not damaged. Refer to the “rough-in” drawing and determine location of shower base.
- B. Assemble drain to shower base (see illustration) using all washers provided. Do not use any putty or thread sealant on either drain body or waste fitting. Tighten drain fitting so outlet points in direction of floor drain when base is set in desired location.
- C. Determine point where 1-1/2” (Drain Kit 82.400A) or 2” (Drain Kit 42.400A) plastic pipe extension (Schedule 40 PVC-DWV not furnished) will go through base side wall and cut opening in side wall as required. Base material may be drilled out or cut with fine tooth sabre saw or hacksaw. **CAUTION:** When cutting opening for plastic pipe be careful not to cut into shower floor area.
- D. Assemble 1-1/2” plastic pipe extension to drain fitting using plastic pipe cement obtainable through your local plumbing or hardware supply store.
- E. Set base on floor with leveling screws in place. Level unit and connect to floor drain using a plastic elbow or similar connector.

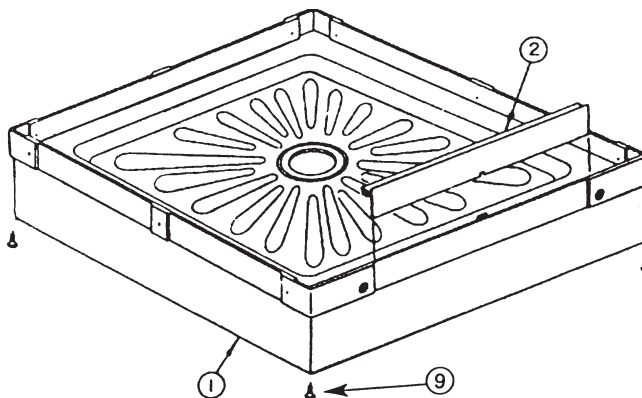
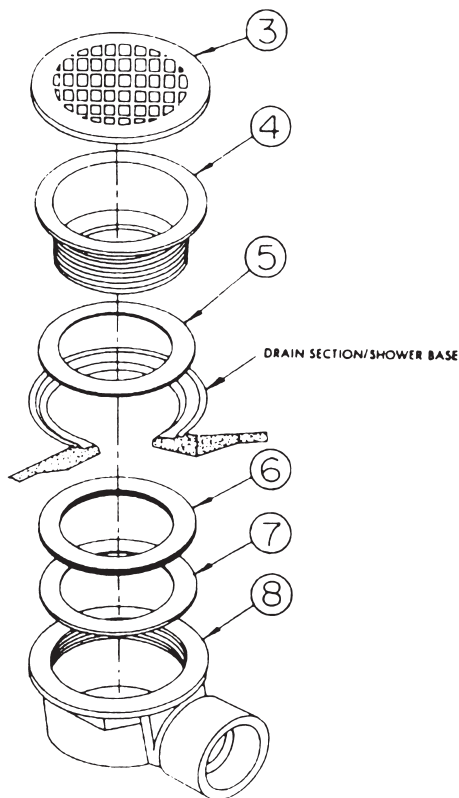


**SECTIONAL VIEW
EXTENDED BASE**



DRAIN ASSEMBLY

PARTS ILLUSTRATION



PARTS LIST

KEY NUMBER	PART NUMBER		DESCRIPTION
	MODEL 82	MODEL 142	
1	72.101	42.1020	Showder Base
2	70.207	40.210	Threshold
3	42.309	42.309	Strainer
4	42.306	42.306	Drain Body
5	32.214	32.214	Sealing Washer - 1/16"
6	42.319	42.319	Sealing Washer - 1/8"
7	32.207	32.207	Fiber Washer
8	82.303	42.313	Molded Waste Fitting
9	72.803	72.803	Leveling Screw (4-Req'd.)

5. Apply a small bead of quality waterproof caulking (not furnished) in track on **Base** – see illustration. Use the **Safety Rail** to lift the panel unit and place into the track against the caulking. It may be necessary to re-tap the **Corner Lock Strips** to ease installation. (FIG. 5)

6. From the outside, insert a **1/4"-20 x 1/2" Truss Head Screw** in the **Base** and through the pre-punched hole in the **Front Support**. Secure with a **1/4" x 20 Hex Nut** on the inside. Repeat for the remaining **Front Support**. Insert a **#10 x 3/8" Truss Head Tapping Screw** into the pre-punched center hole of the back panel (this will align the panel to the base.) Follow the same procedure for both side panels. Tighten all three center screws, then start the remaining six screws. After all screws are started, tighten securely. (FIG. 6)

7. Set **Top Frame** in place and secure to panels and front supports following the same procedure previously used for securing the base. **Note:** A bead of silicone caulking on the top frame where it meets the panels will help further seal the unit against leaks.

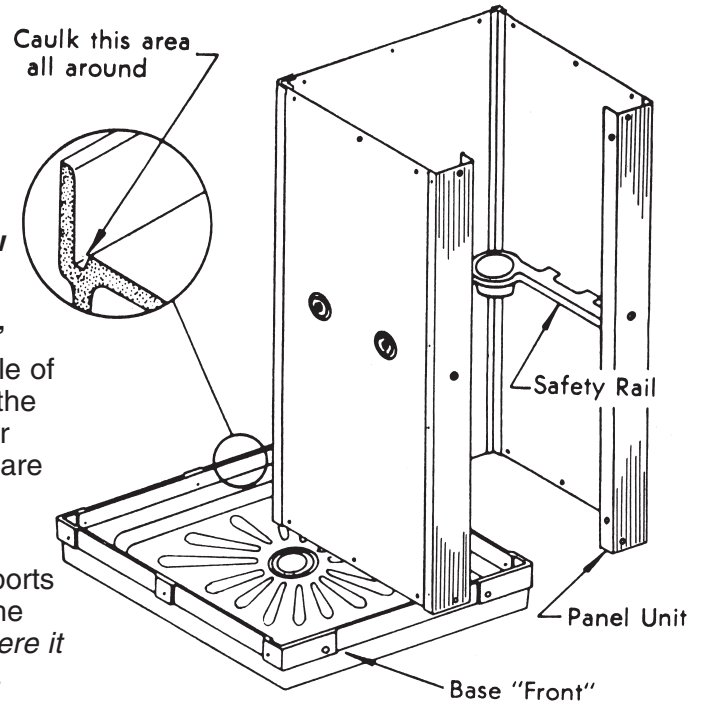


FIG. 5

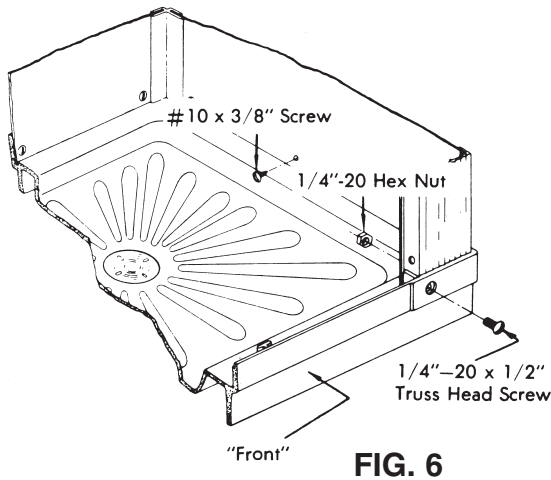


FIG. 6

8. Set **Threshold** in place between the front support extrusions. Be sure that threshold "notch" is locked into base "tee" section. Insert a **1/4"-20 Hex Head Screw** through the pre-punched hole in the front support flange and screw into the threaded area of the **Threshold**. Follow the same procedure for the other side. After both screws are started, tighten securely. (FIG. 7)

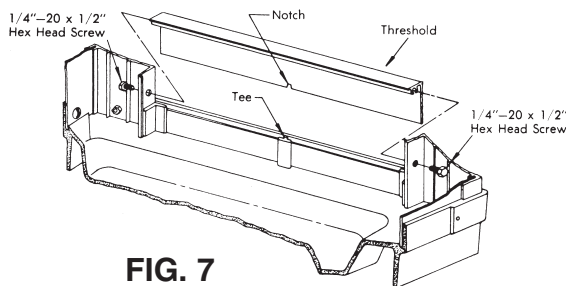


FIG. 7

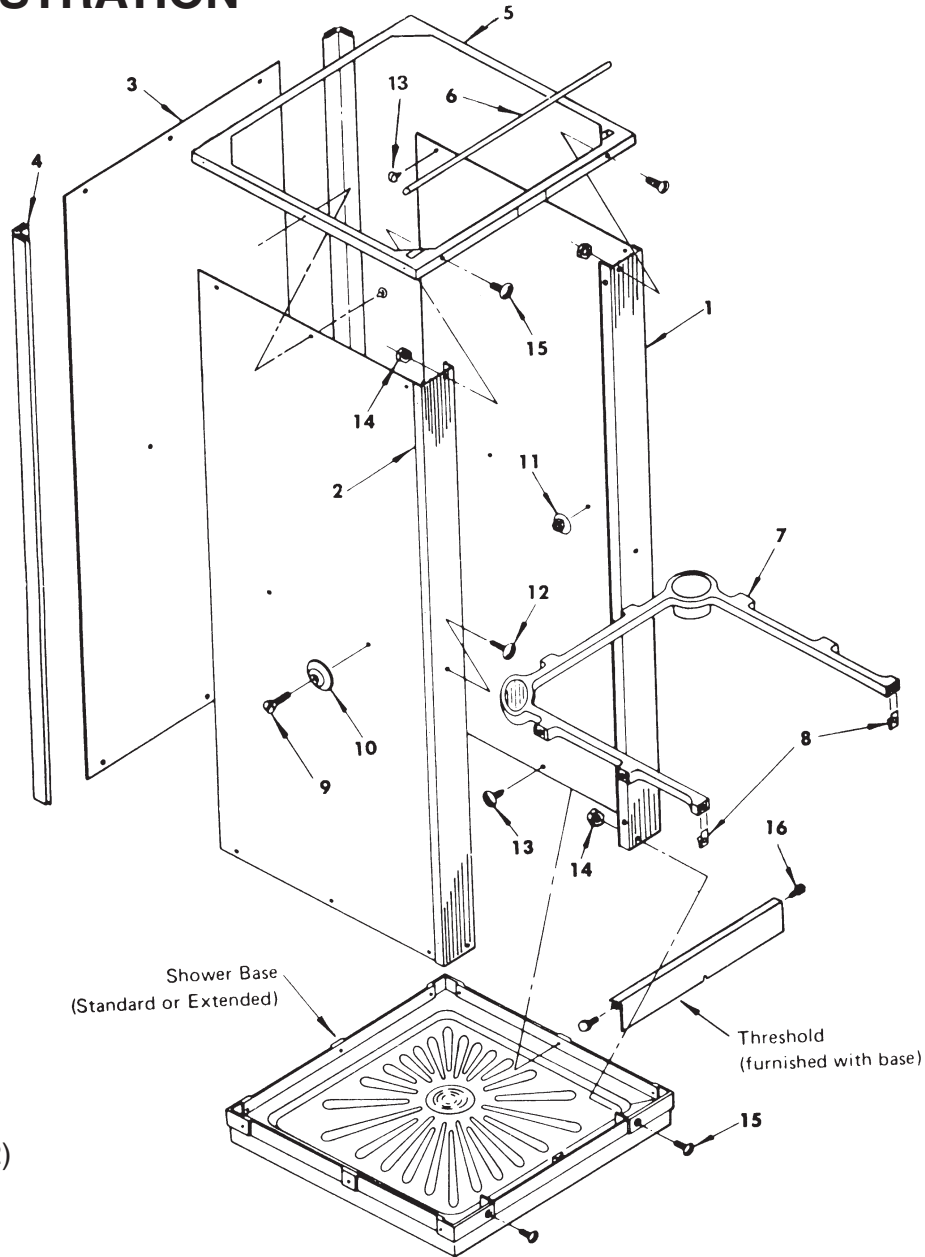
9. (If door is to be installed on unit, refer to instructions provided with door assembly at this time.) Slide **Curtain Hooks** onto **Curtain Rod**. Position **Curtain Rod** over molded sockets on top surface of **Top Frame**. Press **Curtain Rod** down to snap in place.

CARE AND CLEANING

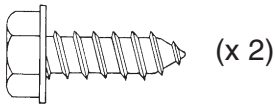
Your Shower Cabinet may be cleaned with a mild soap solution in warm water using a soft cloth. For stubborn stains use Soft Scrub by Clorox or a powdered detergent such as Spic-n-Span. Never use abrasive scouring powder or steel wool pads as they will dull and scratch the surface. A periodic coating of a silicone based marine polish will help retain the fine finish of your unit.

WARNING! - Do not use spray on cleaners that require daily use without immediately rinsing to stop chemical reaction. Damage of unit material will result and void warranty.

PARTS ILLUSTRATION



* Hardware NOT used



PARTS LIST

KEY NO.	PART NUMBER		DESCRIPTION	KEY NO.	PART NUMBER		DESCRIPTION
	32"	36"			32"	36"	
1	80.318	40.317	Panel-Right Hand	11	40.805	40.805	1/4"-20 Flanged Hex Nut (6 req'd.)
2	80.318	40.317	Panel-Left Hand	12	80.812	80.812	#10 x 5/8" Truss Head Screw (2 req'd.)
3	80.316	40.315	Center Panel	13	80.806	80.806	#10 x 3/8" Truss Head Tapping Screw (18 req'd.)
4	80.220	80.220	Corner Lock Strip (2 req'd)	14	80.810	80.810	1/4"-20 Hex Nut (4 req'd)
5	70.108	40.105	Top Frame - Molded	15	80.808	80.808	1/4"-20 x 1/2" Truss Head Screw (4 req'd.)
6	70.204	40.207	Curtain Rod	16	80.809	80.809	1/4"-20 x 1/2" Hex Head Screw (2 req'd.)
7	80.310	40.310	Safety Rail	*	80.700	80.700	Shower Curtain W/Hangers
8	80.803	80.803	#10-"U" Nut (2 req'd.)	*	80.400	80.400	Valve & Shower Head Package
9	40.803	40.803	1/4"-20 x 1" Flat Head Screw (6 req'd.)				
10	40.806	40.806	Safety Rail Washer (6 req'd.)				

E.L. MUSTEE & SONS, INC.

5431 West 164th Street • Brook Park, Ohio 44142

SI-188 (8•07)