

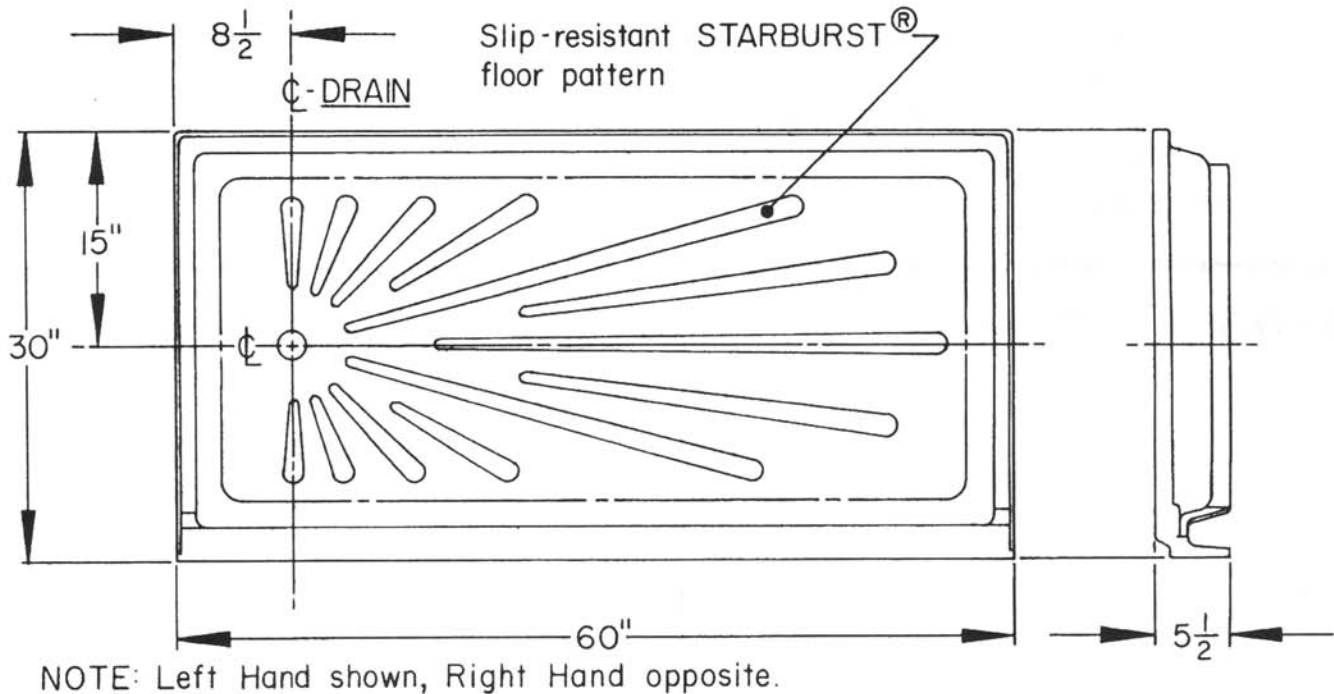
# MUSTEE

# SHOWERTUB™

U.S. PATENT PENDING

## INSTALLATION INSTRUCTIONS

### "ROUGH-IN" DIMENSIONS



### IMPORTANT NOTES:

- We suggest that shower compartments be equipped with support handrails that comply with ANSI-117.1-1986 Consumer Safety requirements
- **SHOWERTUB™ IS NOT TO BE INSTALLED IN FRONT OF DRYWALL!**
- Thoroughly **READ** and **UNDERSTAND** instructions before beginning installation of your MUSTEE ShowerTub™

### ALCOVE PREPARATION

- Remove original bathtub from alcove. The existing bathtub drain plumbing will have to be modified by eliminating the drain tee, upper overflow tube and upper overflow ell. Re-connect drain tube and ell referring to the "ROUGH-IN" illustration for proper placement and in accordance with local code requirements. FIG. 1 shows one possible configuration.
- If replacing tub filler spout with a standard shower type control valve, complete this plumbing before proceeding with installation of ShowerTub™.
- Finally, inspect condition of sub-floor for damage. If necessary, replace existing sub-floor using a single piece of 'CDX' sheathing. **HINT:** Walk around in alcove area to check for any "squeaks" — these can easily be eliminated with some 3" long decking screws.



Quality Plumbing Products

**E.L. MUSTEE & SONS, INC.**

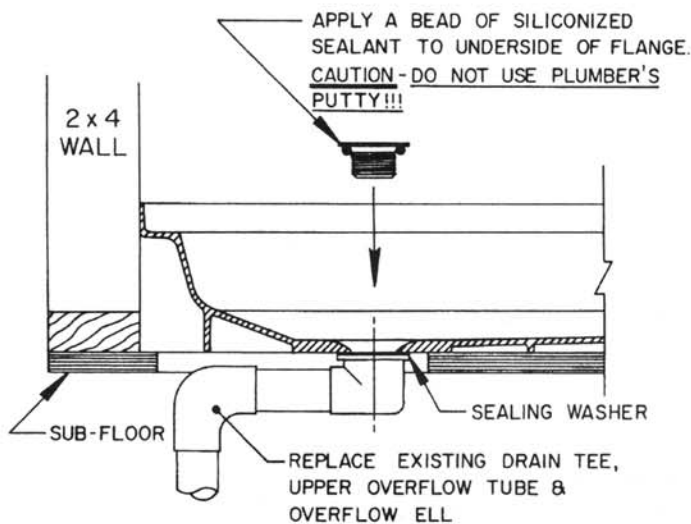
5431 West 164th Street • Cleveland, Ohio 44142

SI-199 (10•02)

## CAREGIVER/SHOWERTUB™ INSTALLATION

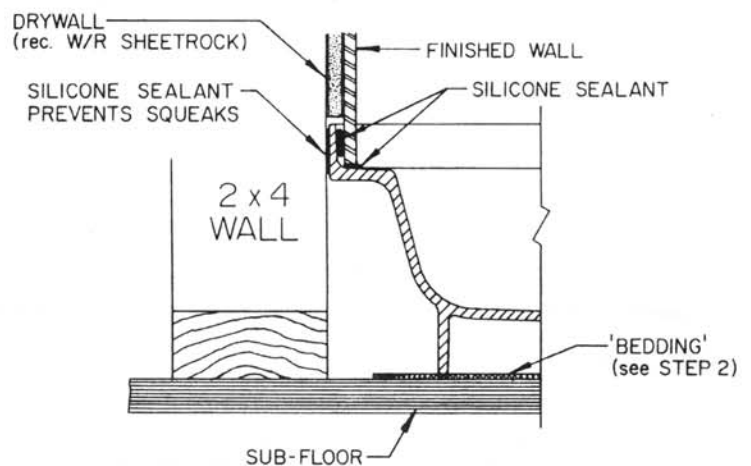
1. Check ShowerTub™ carefully making sure it is not damaged.
2. While a mortar bed is not required for structural support, a thin layer will aid in the levelling of the ShowerTub™ and help ensure that all ribs are fully supported. If you choose not to use a mortar bed, a layer of 30 lb. roofing felt (or equivalent) should be used to compensate for any minor inconsistencies in the sub-floor or slab.
3. Set ShowerTub™ into alcove making sure sealing washer between drain ell and ShowerTub™ is properly positioned (FIG. 1). Check ShowerTub™ for level being certain to maintain full support under ribs. (**NOTE:** If a “trackless” door enclosure will be used, be sure to double-check threshold in several places to avoid problems.)
4. Re-install threaded drain seat after applying a bead of sealant to the underside of flange as shown in FIG. 1. **CAUTION:** DO NOT use plumber's putty on drain connection!
5. Complete installation by finishing alcove walls using FIG. 2 as a reference.

**FIG. 1 - TYPICAL DRAIN CONNECTION**



**IMPORTANT:**  
BE SURE TO REMOVE “STOPPER” FROM DRAIN SEAT

**FIG. 2 - FINISHED WALL DETAIL**



## CARE & CLEANING

The surface of your ShowerTub™ may be cleaned with a mild soap solution in warm water using a soft cloth. For stubborn stains use “Soft Scrub” by Clorox or Lysol “Tub and Tile Cleaner” or a powdered detergent such as “Spic-n-Span”. Never use an abrasive scouring powder or steel wool pads as they will dull the surface. A periodic coating of a silicone based marine polish will help retain the fine finish.

**Warning:** Do not use spray-on cleaners that require daily use without immediately rinsing to stop chemical reaction. Damage will result and void warranty.