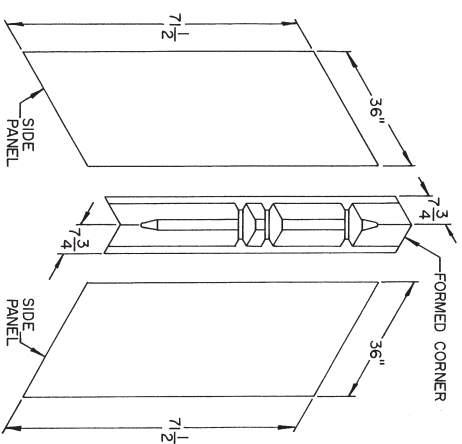


# MUSTEE SHOWER WALL

## INSTALLATION INSTRUCTIONS

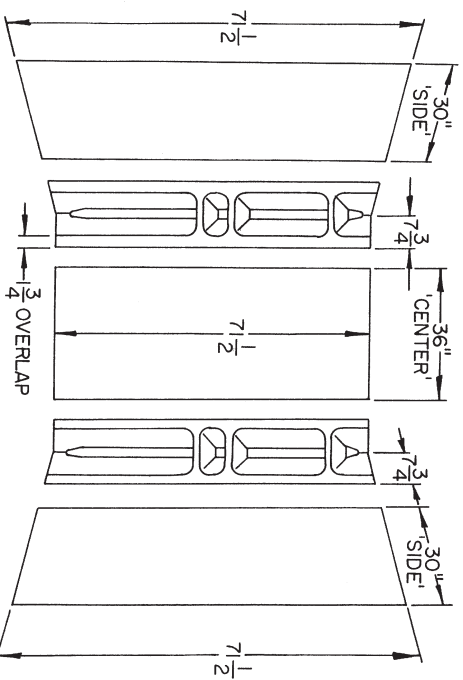
### MODEL 237

- FITS NEO-ANGLE OR CORNER MODEL SHOWER BASES UP TO 42" X 42"



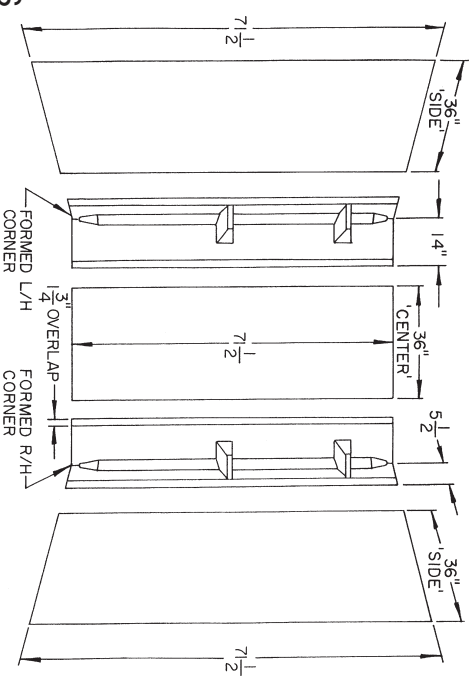
### MODEL 247

- FITS SHOWER BASES 30" to 48" WIDE 30" to 36" DEEP



### MODEL 260

- FITS SHOWER BASES\* 48" to 60" WIDE 30" to 40" DEEP



\*WILL ALSO FIT 42" X 36" & 42" X 42" SHOWER BASES BY REVERSING CORNER PANELS



Quality Plumbing Products

**E.L. MUSTEE & SONS, INC.**

5431 West 164th Street • Brook Park, Ohio 44142

SI-196 (9•06)

## **TOOLS REQUIRED**

Tape Measure  
Razor Knife  
Straight Edge/Level  
Drill  
Drill Bits/Hole Saw  
Caulking Gun

## **MATERIAL REQUIRED**

Caulking - Waterproof  
Masking Tape  
Mineral Spirits  
Adhesive\*

\*Recommend LIQUID NAILS® for TUB SURROUNDS & SHOWER WALLS (LN-915)

**NOTICE:** We recommend that shower compartments be equipped with support Grab Bars that comply with the most recent edition of ANSI-A117.1 requirements. Grab Bars must be anchored to structural support behind panels. Do Not rely on panels only for Grab Bar support!

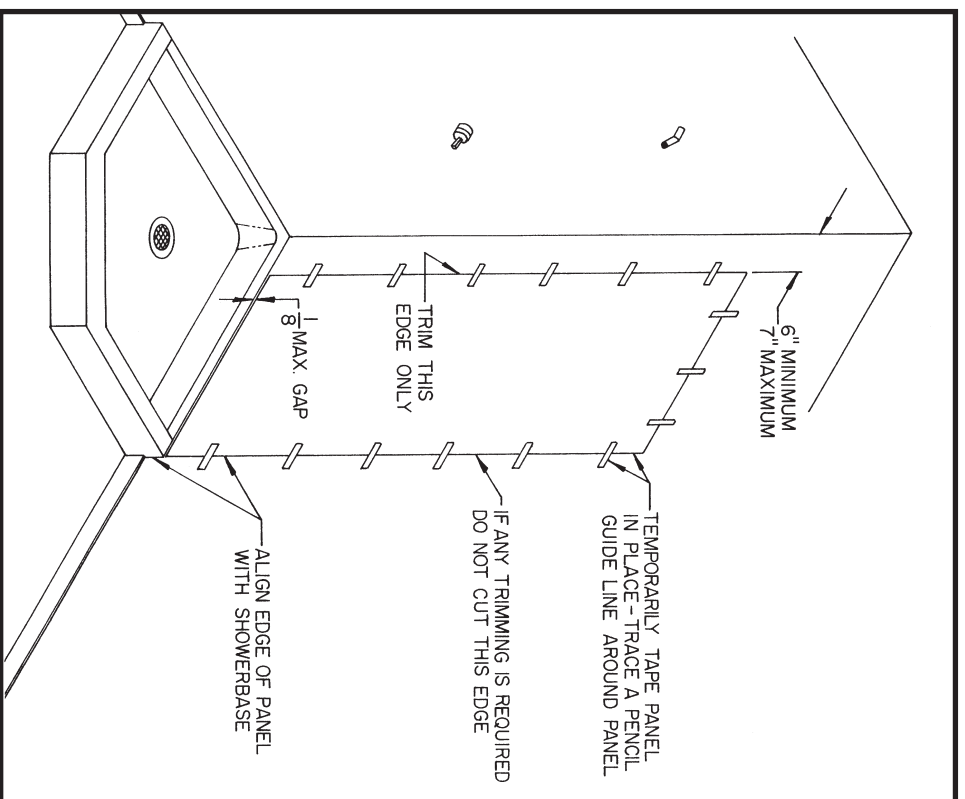
**PREPARATION:** We do not recommend installing the Durawall® Shower Wall panels over any existing tile surfaces.

Panels may be installed over drywall, plaster, painted walls, plywood , or any solid wall - not open studs. Wall surfaces must be clean, dry and free of grease, dust and loose or flaky paint or plaster.

Read instructions thoroughly before attempting installation. Place some sort of protective cover (May be cut from carton) over the floor of the shower to protect the finish.

## **MODEL 237 (Neo-Angle/Corner)**

1. Determine if any trimming will be required on your shower wall Side Panels BEFORE APPLYING ADHESIVE! Set panel in place, raised approximately 1/8" above top ledge of shower base, with front edge of panel in line with front face of shower base. A few strips of masking tape will hold the panel in place while you measure from the inside edge of the panel to the corner. The minimum allowable dimension is 6", the maximum is 7". Keeping in this range will insure a proper overlap. If trimming is required, the panel may be cut easily with a razor knife and straight edge. Re-tape panel back in place and trace a pencil line all around panel. NOTE: These lines will be your guide when you are ready to permanently install the panel (Fig. 1).
2. Follow the same basic procedure for positioning the side panel that has the control valve and shower head. This panel will have to be carefully measured, marked and drilled to accept the valve stem(s) and possibly shower head pipe. Before doing any drilling or cutting, recheck your dimensions.
3. With both side panels taped in place, temporarily tape Formed Corner Panel into position. Check overlap on each side. DO NOT TRIM FORMED CORNER PANEL. If overlaps are satisfactory, trace a pencil guide line along the edge of the corner panel. Remove all panels, make sure all guide lines are clearly visible – you are now ready to permanently install the unit.



**Fig. 1**

4. Apply adhesive to side panel using approximately 1/8" diameter bead. Align panel with pencil guide lines. Short strips of masking tape may be applied to hold panel in place until adhesive begins to bond. Repeat this procedure for the remaining side panel. **IMPORTANT:** Be sure to follow adhesive manufacturer's directions for "venting" if applicable! Excess adhesive should be removed with mineral spirits immediately. (NOTE: After cleaning excess adhesive, wash area completely with a soap/water solution to neutralize solvent.)
5. Apply adhesive to back side of Formed Corner as shown in illustration (Fig. 2). Align top edge of corner panel with guide lines and press in place, working from top to bottom. Short strips of masking tape may be applied to hold corner panel in place until adhesive begins to bond.
6. Caulk all edges of your shower wall surround with a quality waterproof sealant, remember to caulk around shower head pipe and valve stem holes. Allow adhesive and caulking to fully cure before using shower.
7. Re-install valve stem handle(s) and shower head.

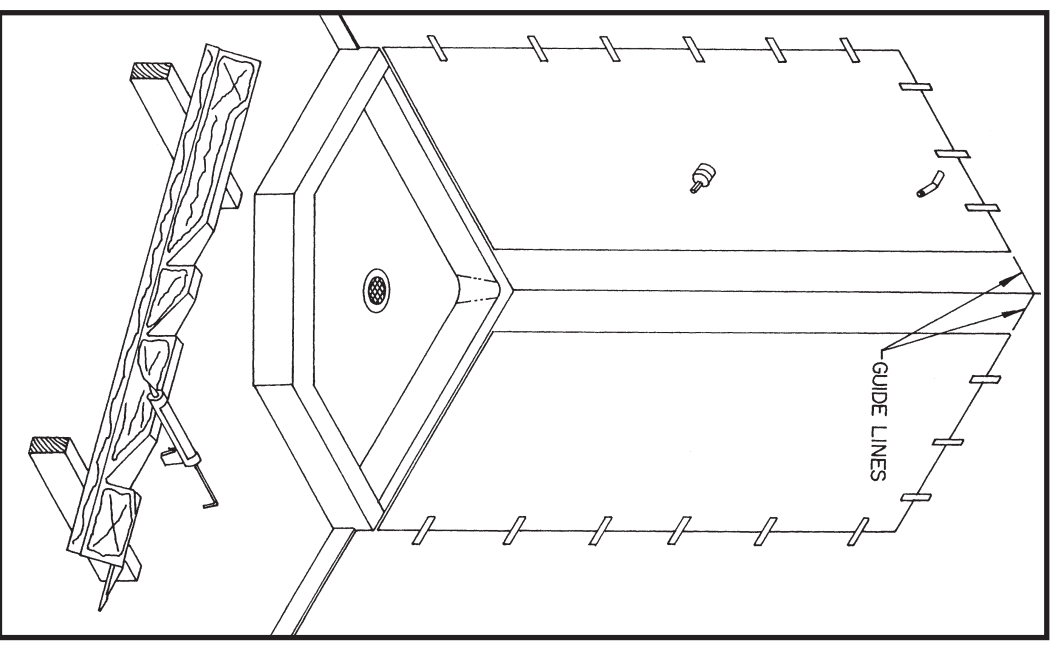


Fig. 2

## **MODEL 247 & 260 (Square/Rectangle)**

1. Determine if any trimming will be required on your shower wall **BEFORE APPLYING ADHESIVE!** Set Center Panel in place, raised approximately 1/8" above top ledge of shower base and centered on back wall. A few strips of masking tape will hold panel in place while you draw a pencil line all around panel. **NOTE:** These lines will be a guide when you are ready to permanently install the panel. Temporarily tape Corner Panels in position, align top edge of Corner Panels with top edge of Center Panel. The Corner Panels should not overlap the Center Panel by more than 1 3/4". If the overlap is not satisfactory, trim the Center Panel the required amount to arrive at the 1 3/4" maximum overlap. Be sure to redraw your Center Panel guide lines if panel required trimming. Panels may be trimmed easily with a razor knife and straight edge. **DO NOT TRIM FORMED CORNER PANELS!** (Fig. 3).

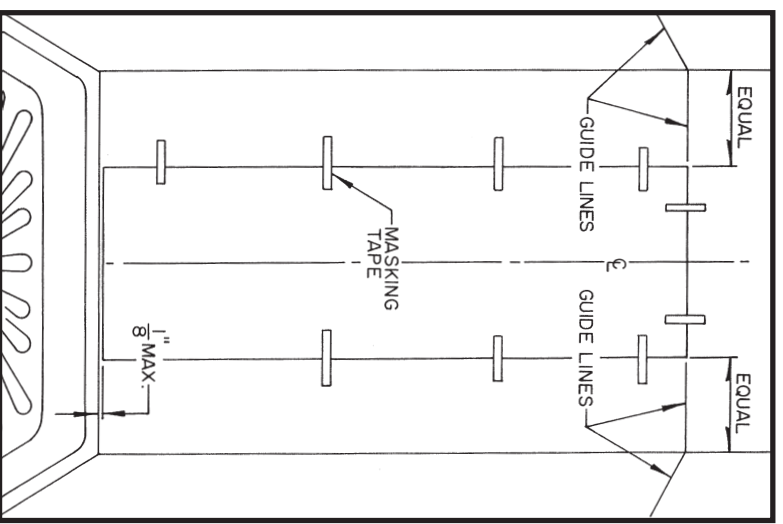


Fig. 3

2. Follow the same basic procedure for positioning the Side Panels as you did for the Center Panel. Align edge of Side Panel with front of shower base, remember to align top edges. Draw pencil guide lines. The Side Panel for the fitting end of the shower will have to be carefully measured, marked and drilled to accept the valve stem(s) and possibly shower head pipe. Before doing any drilling, recheck your dimensions.
3. Apply adhesive to Center Panel using approximately 1/8" diameter bead. Align panel with pencil guide lines. Short strips of masking tape may be applied to hold panel in place until adhesive begins to bond. Repeat this procedure for the side panels. **IMPORTANT:** Be sure to follow adhesive manufacturer's directions for "venting" if applicable! Excess adhesive should be removed with mineral spirits immediately. (NOTE: After cleaning excess adhesive, wash area completely with a soap/water solution to neutralize solvent.)
4. Apply adhesive to back side of formed corner as shown in illustration (Fig. 4). Align top edge of corner panel with guide lines, press in place working from top to bottom. Short strips of masking tape may be applied to hold corner panels in place until adhesive begins to bond. Repeat for remaining corner panel.
5. Caulk all edges of your shower wall surround with a quality waterproof sealant, remember to caulk around shower head pipe and valve stem holes. Allow adhesive and caulking to fully cure before using shower.
6. Re-install valve stem handle(s) and shower head.

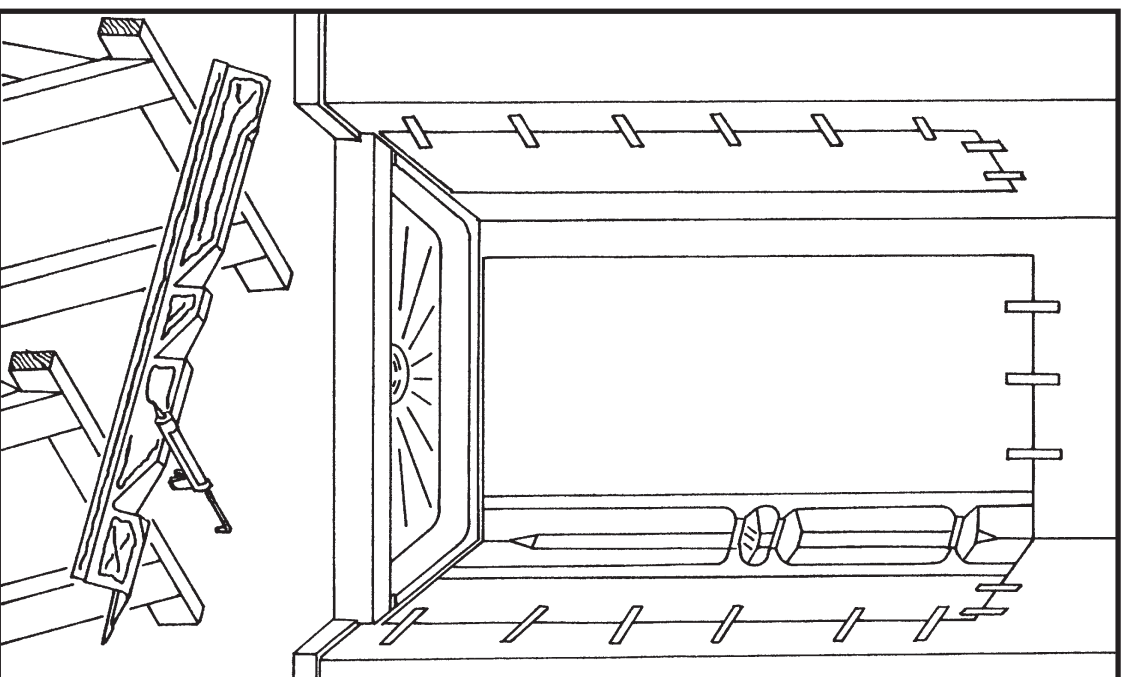


Fig. 4

	DESCRIPTION	PART NUMBER	
		WHITE	BONE
7 3/4" X 7 3/4" CORNER PANEL WITH 3 SHELVES (MDLS. 237&247)		37.301	37.304
30" X 7 1 1/2" FLAT PANEL (MDLS. 247&260)		47.301	47.303
36" X 7 1 1/2" FLAT PANEL (ALL MODELS)		47.302	47.304
5 1/2" X 14" R/H CORNER PANEL WITH 2 SHELVES (MDL. 260)		48.320	48.325
5 1/2" X 14" L/H CORNER PANEL WITH 2 SHELVES (MDL.260)		48.321	48.326

## CARE & CLEANING

The surface of your Shower Wall Surround may be cleaned with a mild soap solution in warm water using a soft cloth. For stubborn stains use "Soft-Scrub" by Clorox or Lysol "Tub & Tile Cleaner" or a powdered detergent such as "Spic-n-Span". Never use an abrasive scouring powder or steel wool pads as they will dull the surface. A periodic coating of a silicone based marine polish will help retain the fine finish.

**Warning: Do not use spray-on cleaners that require daily use without immediately rinsing to stop chemical reaction. Damage will result and void warranty.**