

Quantum®



Seat not included. **158 Toilet Bowl – ADA APPROVED**



100 Toilet Tank – ADA APPROVED



100RH Toilet Tank – ADA APPROVED

Haute Comfort-Series™

158-100

ADA elevated comfort height, elongated pressure assist toilet

- Elevated bowl height-3" taller than standard bowls-easier to use
- ADA approved toilet bowl – 158, left and right hand (100 & 100RH) activation trip level toilet tanks for residential baths and commercial restrooms
- 1.5 gpf – 5.7 Lpf, elongated flushometer tank
- Large 10"x12" water surface
- Powerful Jet Thrust™ flushing action
- Conventional 12" rough-in
- Available in White and Classic Bone
- Meets ANSI/ASME A112.19.2-1995 and A112.19.6-1995

Specifications

Order No.	Description	Approx. Wt.
158-100	ULF, Jet Thrust action,	109 lbs.
158-100RH	17-1/4" ADA accessible height, elongated toilet bowl with 12" rough-in for conventional installation. No. 100 pressure assist with pump tank cover with 3-bolt hook-up. Tank-to-bowl gasket, washers and nuts are included. Toilet bolt caps furnished. Specify color.	
158	Bowl only.	55 lbs.
100	ADA approved, left hand activation trip level tank and cover.	54 lbs.
100RH	ADA approved, right hand activation trip level tank and cover.	54 lbs.

No. 158-100 meets ANSI/ASME A112.19.2-1995 and A112.19.6-1995 (Federal Specification WW-P-541 E GEN: 1980; WW-P-541/4B: 1980).

Haute Confort Series™

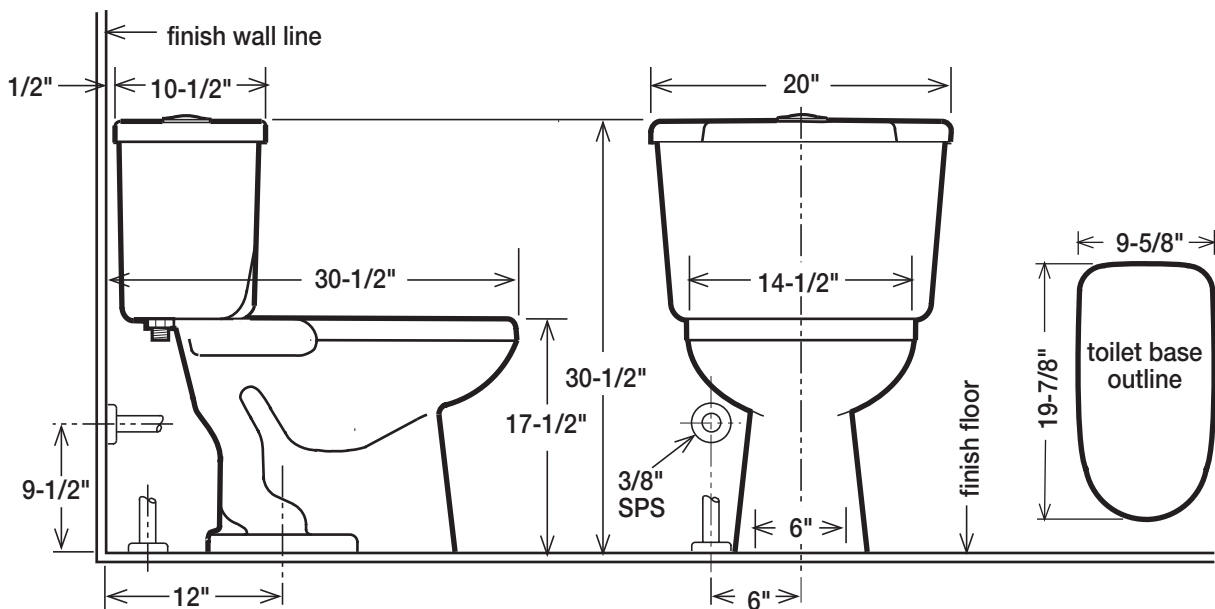
Quantum® 158-100

ADA elevated comfort height elongated ultra low flush pressure assist toilet



The 158 toilet bowl has an elevated height of 17-1/2" which is 3" higher than standard bowls making it more comfortable and easier to use. For residential baths and commercial restrooms requiring ADA-approved accessible fixtures and minimal water usage, the 17-1/4" ADA accessible height toilet bowl No. 158, combined with a left (100) or right hand (100RH) toilet tank, which utilizes the most advanced ULF technology, answers both needs. It meets or exceeds ANSI/ASME requirements as it effectively flushes on less than 1.5 gpf – 5.7 Lpf. It features Mansfield's Jet Thrust™ design, with a generous 10" x 12" water surface area. Elongated bowl and tank are made from "high-fired" vitreous china for long-lasting quality and cleanability. Available in White and Classic Bone.

Rough-in dimensions



NOTE: Above are rough-in measurements. They may vary 1/4" (±).

See our complete line of low consumption and ADA accessible vitreous china toilets.



Mansfield Plumbing Products LLC • Sales Services Toll Free 877-850-3060

Website: www.mansfieldplumbing.com • Email: custserv@mansfieldplumbing.com