



1318NS
ADRIATIC

Elongated Front, 10" Rough-In,
SmartHeight™, Flush Valve Toilet

FEATURES

- Specifically Designed for Commercial and Industrial Applications
- ADA Compliant, 17" SmartHeight™
- 1.6 Gpf / 6.0 Lpf
- Two-Inch Glazed Trapway
- 10" Rough-In
- Large 9-7/8" x 11-7/8" Water Surface
- 1-1/2" Top Spud Provided to Accommodate Many Brands of Flush Valves
- Available in White and Standard Colors (Consult Price Book for Specific Colors)
- Outstanding Protection – The Mansfield® Limited Lifetime Warranty



Model 1318NS
(Less Flushometer & Seat)

Model No.	Description	Approx. Wt.
1318NS	Elongated front (1.6 Gpf/6.0 Lpf), SmartHeight™ flush valve toilet bowl. 10" Rough-in. 1-1/2" top spud. Less toilet seat, flushometer valve and supply. ADA Compliant. Specify color.	55 lbs. (25 kg)



SmartHeight™

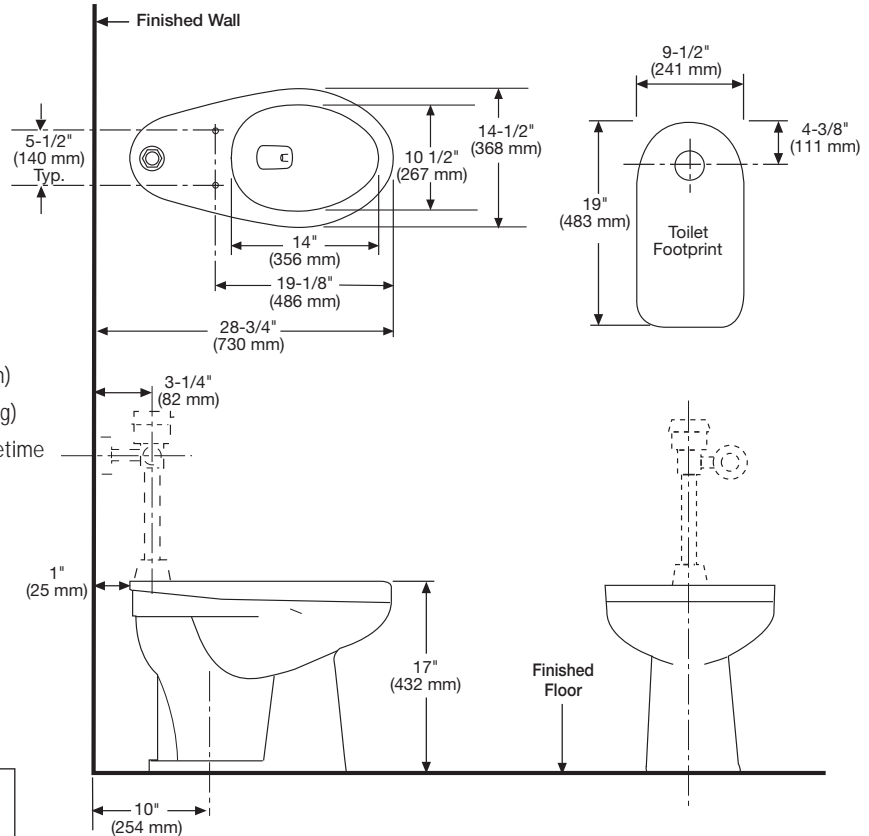
1318NS ADRIATIC

Elongated Front, 10" Rough-In,
SmartHeight™, Flush Valve Toilet

TECHNICAL INFORMATION

Specifications

Material	Vitreous China
Water Pressure Range	15 to 125 P.S.I.
Water Usage	1.6 Gpf / 6.0 Lpf
Water Surface Area	9-7/8" x 11-7/8"
Trap Diameter	2"
Trap Seal	3"
Rough-In	10"
Shipping Dimensions	Model 1318NS 27-7/8" x 16" x 19-5/8" (708 mm x 406 mm x 498 mm)
Shipping Weight	Model 1318NS – 57.8 lbs (26 kg)
Warranty	Vitreous China – Limited Lifetime



These dimensions are nominal and are subject to change without prior notice.

Fixture performance and specifications meet or exceed, ANSI/ASME A112.19.2, A112.19.2M and CSA B45 standards, and other state and local codes.

NOTE: Install this product according to the installation guide.
Fixture dimensions are nominal and conform to tolerances in ASME Standard A112.19.2

See our complete line of acrylic and vitreous china bathroom and kitchen fixtures, plastic tank trim and plumbing products.

Mansfield
performance for a lifetime™

Mansfield Plumbing Products LLC • Customer Service Toll Free 877-850-3060 • Fax 419-938-6234
Website: www.mansfieldplumbing.com • Email: custserv@mansfieldplumbing.com

Form No. M1318NS Printed in U.S.A. 10/06
© 2006 Mansfield Plumbing Products LLC