



1311

Baltic™



Elongated Front, 10" Rough-in,
Flush Valve Toilet



Features

- Specifically Designed for Commercial and Industrial Applications
- 1.6 gpf – 6.0 Lpf
- Fully Glazed Two-inch Trapway
- 10" Rough-in
- Large 10" x 12" Water Surface
- 1-1/2" Top Spud Provided to Accommodate Many Brands of Flush Valves
- Lifetime Warranty
- Available in White and Standard Colors
- Meets ANSI/ASME A112.19.2M-1998
- Meets Canadian Standards Association General Requirements for Ceramic Plumbing Fixtures B45.1-1999

Specifications

Order No.	Description	Approx. Wt.
1311	Elongated front, flush valve toilet bowl. 10" rough-in. 1-1/2" top spud. Seat and flushometer valve not included. Specify color.	50 lbs.

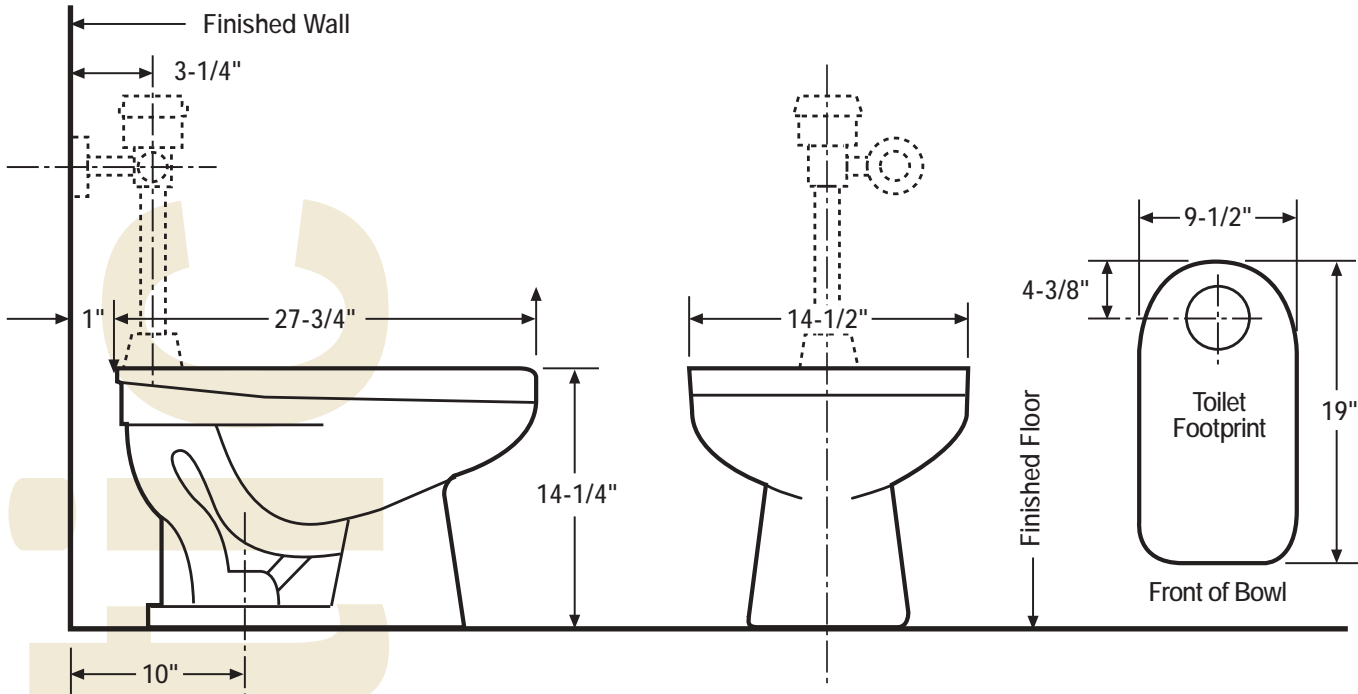


1311

Baltic™

10" Rough-in, Elongated Front,
Flush Valve, Toilet

R o u g h - i n D i m e n s i o n s



NOTE: Rough-in measurements may vary 1/4" (±).

See our complete line of acrylic, vitreous china, cast iron and enameled steel bathroom and kitchen fixtures, plastic tank trim and plumbing products.



Mansfield® Plumbing Products LLC • Sales Services Toll Free 877-850-3060 • Fax 419-938-6234
Website: www.mansfieldplumbing.com • Email: custserv@mansfieldplumbing.com

Form No. M1311 Printed in U.S.A. 7/03
© 2003 Mansfield Plumbing Products LLC