

PROJECT: \_\_\_\_\_

ITEM NO.: \_\_\_\_\_



10 H.P. heavy duty disposer is designed for continuous operation in restaurants, hotels, hospitals and cafeterias. Food waste including steak bones is quickly and efficiently removed with this labor-saving, self-cleaning, environmentally sound disposer.

# 10 H.P. MODEL SS-1000

## SPECIFICATIONS

- GRIND CHAMBER -** Corrosion Resistant Stainless Steel
- MOUNTING -** ¾" rubber mounting above grinding chamber isolates sound and eliminates vibration. Mounting is enclosed in chrome plated covers for sanitation and appearance.
- MOTOR -** 10 HP Induction Motor, 1725 RPM's, totally enclosed to provide protection against outside moisture. Controlled power air flow cools motor for efficiency and longer life. Built-in thermal overload protection.
- CUTTING ELEMENTS -** Stationary and rotating shredding elements made from cast nickel chrome alloy for long life and corrosion resistance, designed for reverse action grinding.
- MAIN BEARINGS -** Double-tapered Timken roller bearings provide a shock absorbing cushion.
- MOTOR SEALS -** Triple lip seal protects motor from water damage. Secondary spring-loaded oil seal provides double protection against water and loss of grease.
- FINISH -** All Stainless Steel and Chrome plated. Paint-free for lasting sanitation.
- WARRANTY -** 1 year full warranty from date of installation.



### BASE DISPOSER/ELECTRICAL REQUIREMENTS

- 208 volts, 3 phase, 11.0 amps
- 230 volts, 3 phase, 13.0 amps
- 460 volts, 3 phase, 6.5 amps

NOTE: All amp ratings denote the amp draw during a grind load.

### DISPOSER MOUNTING ASSEMBLIES



- #6 Collar Adapter for welding into trough, provides 6<sup>5</sup>/<sub>8</sub>" opening, includes splash baffle



- #7 Collar Adapter for welding into sink, provides 6<sup>5</sup>/<sub>8</sub>" opening, includes splash baffle and stopper



- Type A Sink Bowl Assembly\*



- Type B Sink Bowl Assembly\*



- Type C Sink Bowl Assembly\*

### Select Sink Bowl Assembly Size

- 12" with one adjustable water nozzle
- 15" with one adjustable water nozzle
- 18" with two adjustable water nozzles

\*If using Type A, B, or C, you must specify either a 12", 15" or 18" sink bowl.

### ELECTRICAL CONTROLS



- CC-202 Control Center (Auto-Reversing)



- CC-101 Control Center (Auto-Reversing)



- AS-101 Control Center "Aqua Saver" (Auto-Reversing)

### WATER CONTROLS

- Solenoid Valve
- Syphon Breaker
- Flow Control Valve

#### Recommended Water Usage

<b>Standar</b>	<b>Optional</b>
10 GPM	N.A.

For additional information, see Commercial Product Information Binder.

### A COMMERCIAL DISPOSER PACKAGE INCLUDES:

1 Mounting/Bowl Assembly, 1 Electrical Control, 1 Syphon Breaker, 1 Solenoid Valve, and 1 Flow Control Valve. The standard Flow Control Valve will be sent with the unit unless the optional valve is specified.

Our products appear on **The KCL CADalog** CD-ROM based CAD Foodservice Symbol Library. More information is available from **Kochman Consultants, Ltd.** at [www.kclcad.com](http://www.kclcad.com).



4700 21st STREET  
RACINE, WI 53406  
TEL: 800-845-8345  
FAX: 262-554-3620

[www.insinkerator.com](http://www.insinkerator.com)

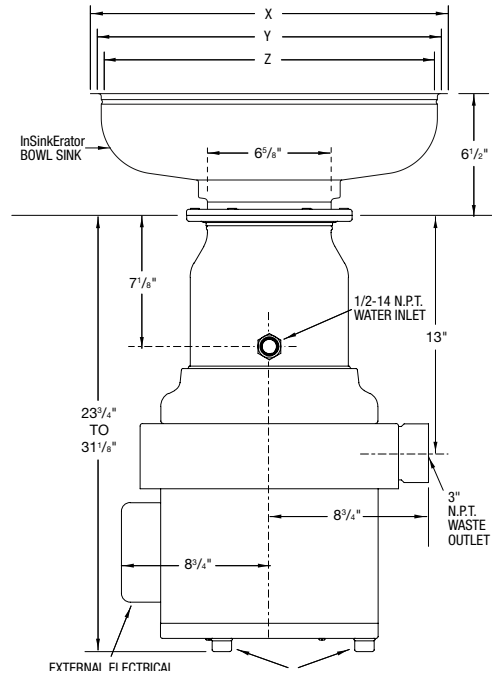
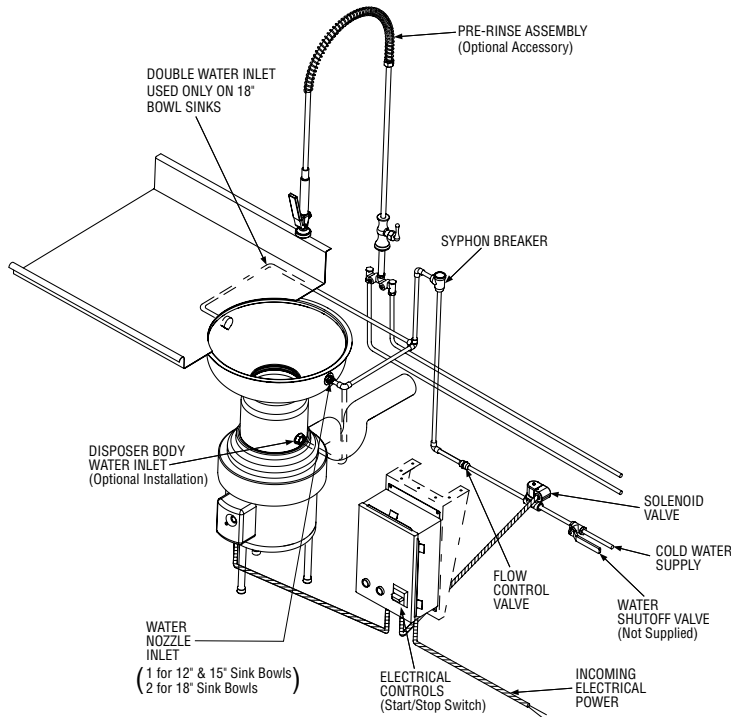


The Emerson logo is a trademark and a service mark of Emerson Electric Co.



# RECOMMENDED INSTALLATION

# MODEL SS-1000



**IMPORTANT:** Use dimension chart below for adaptor height in place of ISE bowl sink height when mounting directly to a sink.

## DIMENSIONS

- X — Flange O.D.
- Y — Diameter of Work Table Hole
- Z — Flange I.D.

BOWL SINKS	X	Y	Z	HEIGHT
12"	13 $\frac{1}{2}$ "	12 $\frac{1}{4}$ "	12"	6 $\frac{1}{2}$ "
15"	16 $\frac{1}{2}$ "	15 $\frac{1}{4}$ "	15"	6 $\frac{1}{2}$ "
18"	19 $\frac{1}{2}$ "	18 $\frac{1}{4}$ "	18"	6 $\frac{1}{2}$ "
ADAPTORS	X	Y	Z	HEIGHT
No.6	7 $\frac{13}{16}$ "	6 $\frac{7}{8}$ "	6 $\frac{5}{8}$ "	1 $\frac{3}{16}$ "
No.7	9 $\frac{1}{8}$ "	7 $\frac{7}{8}$ "	7 $\frac{5}{8}$ "	2 $\frac{1}{16}$ "

## 10 H.P. COMMERCIAL DISPOSER

### SAMPLE SPECIFICATION

ITEM NO. \_\_\_\_\_ DISPOSER  
 Quantity: One required (1)  
 Manufacturer: InSinkErator Division,  
 Commercial Racine, WI  
 Model: SS-1000-15B/CC101  
 Electrical Requirements: \_\_\_\_\_ volts/  
 \_\_\_\_\_ phase  
 Install in \_\_\_\_\_, Item \_\_\_\_\_.

## NOTE:

- Adaptors are available upon request for all competitor sink bowls or cones.
- Please have sink bowl/cone type with the necessary dimensions when ordering adaptors.
- Also available as short body model. Reduces overall height of disposer by 3 $\frac{1}{2}$ ".