

# comfort™ seats

where quality and comfort meet™

# Residential

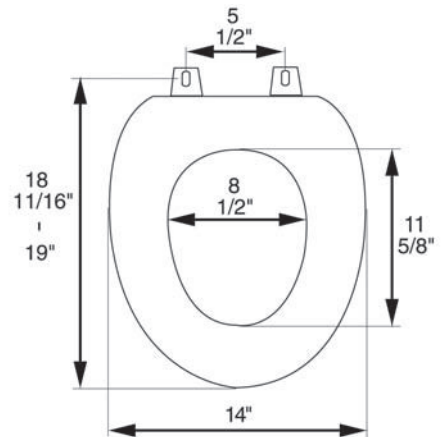


## Seat shall be Comfort Seats **Model Number C024WD**

- Durable Molded Wood
- Multi-coat high gloss enamel paint
- UV paint color protection
- Elongated closed front with cover
- Adjustable hinge with steel pintel
- Color matching hinge and bumpers
- Four bumpers on ring for stability
- Non-skid rubberized pads
- Corrosion resistant stainless steel screws
- Corrosion proof nuts and bolts
- Top mount design
- Specify white, bone or biscuit



**C024WD Profile**



**Corrosion proof, self-aligning hardware**



**Factory-installed "living" hinge covers with stainless steel screws and pintles**

## **Product Specifications**

**Series:** Residential

**Model Number:** C024WD

**Seat Type:** Elongated -  
Closed front with cover

**Hinge Design:** Extra heavy duty plastic hinge with stainless steel screws and pintles

**Ring Thickness:** 7/8"

**Ring Thickness with Bumper:** 1 1/8"

**Height of Seat with Cover:** 2 1/4"

Comfort Seats molded wood utilizes the finest paint to seal and beautify the molded wood core with deep lustrous color and rock hard enamel durability.

**comfort™ seats**  
a Jones Stephens Corp. brand

PHONE: 800-355-6637 (35-JONES)  
FAX: 800-462-6991

