

comfort™ seats

where quality and comfort meet™

Residential

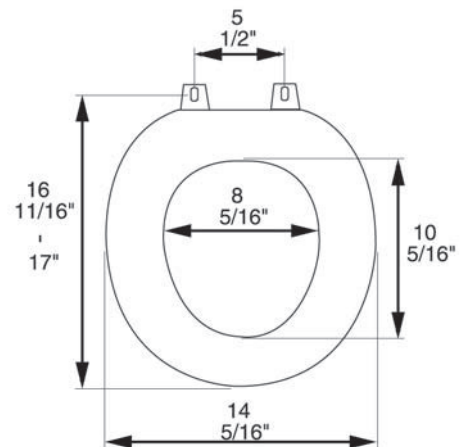


Seat shall be Comfort Seats
Model Number C013WD

- Durable Molded Wood
- Multi-coat high gloss enamel paint
- UV paint color protection
- Round closed front with cover
- Adjustable top mount hinge
- Color matching hinge and bumpers
- Four bumpers on ring for stability
- Non-skid rubberized pads
- Corrosion resistant stainless steel screws
- Corrosion proof nuts and bolts
- Specify white, bone, biscuit or select colors



C013WD Profile



Corrosion proof, self-aligning hardware



Factory-installed "living" hinge covers with stainless steel screws

Product Specifications

Series: Residential

Model Number: C013WD

Seat Type: Round - Closed front with cover

Hinge Design: Heavy duty plastic hinge with stainless steel screws

Ring Thickness: 3/4"

Ring Thickness with Bumper: 1 1/8"

Height of Seat with Cover: 2 1/4"

Comfort Seats molded wood utilizes the finest paint to seal and beautify the molded wood core with deep lustrous color and rock hard enamel durability.

comfort™ seats
a Jones Stephens Corp. brand

PHONE: 800-355-6637 (35-JONES)
FAX: 800-462-6991

