

comfort™ seats

where quality and comfort meet™

Residential



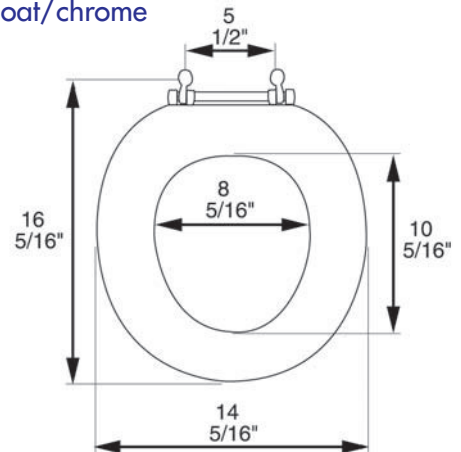
Seat shall be Comfort Seats

Model Number C013WD METAL HINGE

- Durable molded wood
- Multi-coat high gloss enamel paint
- UV paint color protection
- Round closed front with cover
- Color matching and bumpers
- Varnish coated hinges for added life
- Four bumpers on ring for stability
- Non-skid rubberized washer
- Corrosion resistant stainless steel screws
- Corrosion proof hardware
- Specify white, bone or black
- Specify hinges - brass, chrome, brushed nickel, white powder coat, brass/chrome, white powder coat/chrome



C013WD Profile



Chrome



White Powder Coat



Brass



Chrome/White Powder Coat Combo



Brushed Nickel



Chrome/Brass Combo

Product Specifications

Series: Residential

Model Number: C013WD Metal Hinge

Seat Type: Round - Closed front with cover

Hinge Design: Chrome, Brass, Brushed Nickel, Chrome / Brass combo, White Powder Coat, Chrome / White Powder Coat Combo

Ring Thickness: 3/4"

Ring Thickness with Bumper: 1 1/8"

Height of Seat with Cover: 2 1/4"

Comfort Seats molded wood utilizes the finest paint to seal and beautify the molded wood core with deep lustrous color and rock hard enamel durability.

comfort™ seats

a Jones Stephens Corp. brand

PHONE: 800-355-6637 (35-JONES)
FAX: 800-462-6991

