



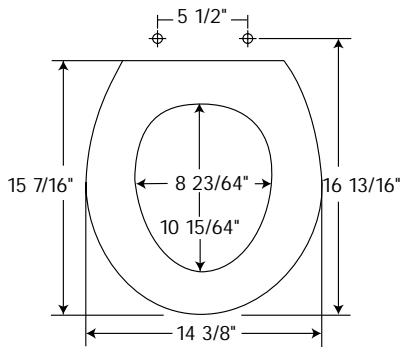
PROLINE™/PROSEAT™ MOLDED WOOD SEATS



Bemis PROseats™ have a sleek design never before seen in a “wood” seat. PROseat™ color-matched components, Ultrahinge™ hinges and a three-layer enamel finish provide guaranteed durability and satisfaction for the plumbing professional.

500PRO

Seats shall be 500PRO as manufactured by Bemis Manufacturing Co. Seats shall be molded wood, multi-coat enamel finish with closed front and cover to fit regular bowl. Color-matched bumpers and hinges. Ultrahinge™ hinges with non-corrosive top-tightening bolts, wing nuts and no-slip washers. Color to be _____. (specify white or fixture manufacturer’s color.)



TOP-TIGHTENING
ULTRAHINGE™



STURDY
ULTRAHINGE™

Ring thickness is 3/4"
Ring thickness including the bumper is 1-1/16"
Height of the seat with cover is 1-7/8"

