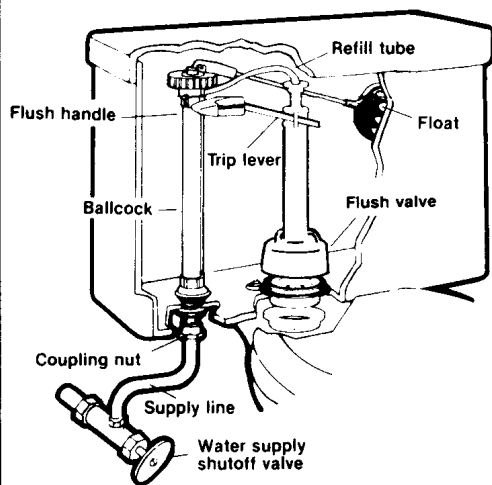


Watersaver (210) and Ultra Low Flush (211ULF) flush valves

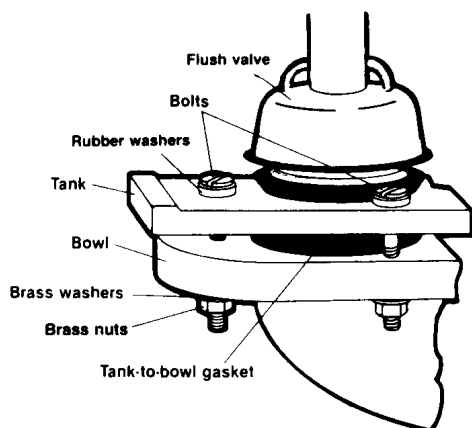
DEPENDABLE AND VERSATILE The outstanding Mansfield flush valve – proved in tens of millions of toilets, for decades – combines water-saving efficiency with non-corrosive, long-life dependability. The flush valve is unaffected by rust, corrosion or electrolytic action. It has only one moving part, so it's trouble-free. It seats and seals tight every time (a watersaving plus).

Dual-connection design: (1) the "Tea-Cup handle" to permit a direct-action flushing lever connection, or (2) the Universal "tab" to allow hook-up with any chain-connected flushing lever. Flush valves are designed to fit Mansfield, Kilgore and Norris toilets and virtually all gravity tank-type toilets.

INSTALLATION INSTRUCTIONS

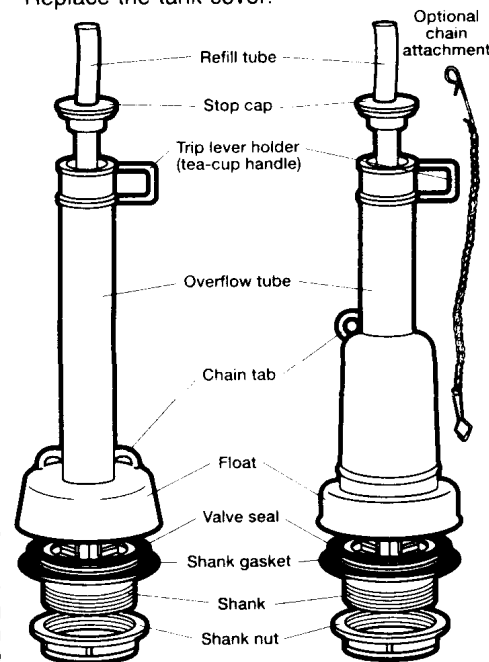


1. Shut off water supply valve. (Turn handle clockwise.) Remove tank cover.
2. Flush toilet. Hold handle down to drain tank. Use a sponge to remove remaining water.
3. Unscrew the coupling nut from the ballcock shank underneath the toilet, thereby disconnecting the water supply line. (A small amount of water will drain out.)



4. Disconnect tank from toilet bowl by removing nuts and washers from underside of toilet bowl ledge. Lift tank off toilet bowl. Lay tank on its "back."
5. Remove the tank-to-bowl brass bolts and rubber washers from inside of tank. (Save all bolts, nuts and washers if you choose to re-use them.)
6. Carefully remove rubber tank-to-bowl gasket and save it for re-use. Disconnect refill tube from the overflow tube of existing flush valve. Unscrew flush valve locknut from underside of tank and remove the old flush valve.
7. Prepare the new flush valve for installation . . . be sure shank gasket is installed, snug against shoulder, at top of shank. Insert flush valve into tank. Secure to tank with new shank locknut provided.
8. Reinstall rubber tank-to-bowl gasket over the shank locknut, and replace tank onto bowl.
9. Align tank and bowl holes. Install rubber washers onto brass bolts and insert brass bolts through the tank and bowl holes.
10. Assemble brass washers and nuts, then screw them onto bolts below ledge. Snug bolts/nuts by hand, then tighten with a wrench to make leakproof seal. **DO NOT OVERTIGHTEN.**
11. Connect trip lever to flush valve . . . either using a direct connection placing the trip lever through trip lever holder or using a chain link connection between lever and chain tab. Lift flush valve using the handle/trip lever to check for "free-floating" action of flush valve.
12. Re-connect refill tube from ballcock to flush valve . . . by inserting the end of refill tube into the hole in the stop cap on the top of flush valve.
13. Re-connect water supply line by attaching coupling nut to ballcock shank. Snug coupling nut by hand, then tighten ¼ turn with a wrench to make a leakproof seal. **DO NOT OVERTIGHTEN.**

14. Turn on water supply valve. As tank fills, examine underside for leaks. Tighten bolts/nuts if necessary . . . **DO NOT OVERTIGHTEN.** With no leaks apparent, flush toilet and check the flush valve in the open and closed position . . . adjust length of chain-type trip lever connection, if necessary.
15. Flush toilet again and when tank is full, check for proper water level in tank. The water level should be indicated by a water level mark, on the back of the tank. Adjust the ballcock float, if necessary to achieve proper water level. Setting the level too high can result in allowing water to seep or flow over the overflow preventing complete shutoff of the ballcock. Setting the water level too low can result in poor flush performance. The toilet is ready for use. Replace the tank cover.



210 Watersaver Style
(3.5 gpf)

211 ULF Style
(1.6 gpf)

WARNING:

Mansfield Plumbing Products shall not be responsible or liable for any failure or damage to this plumbing product caused by the use of tank type bowl cleaners containing calcium hypochlorite (chlorine).