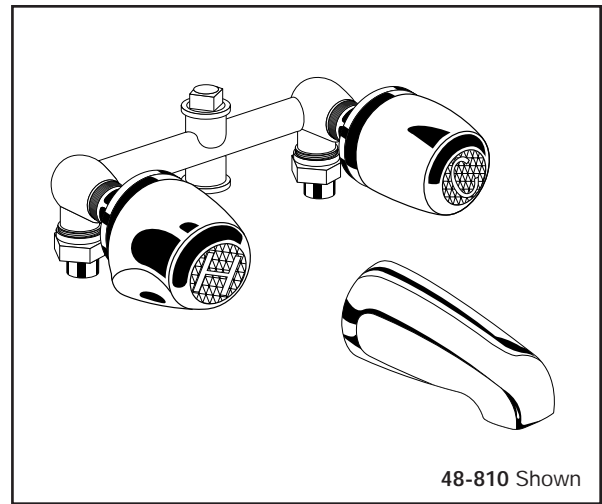


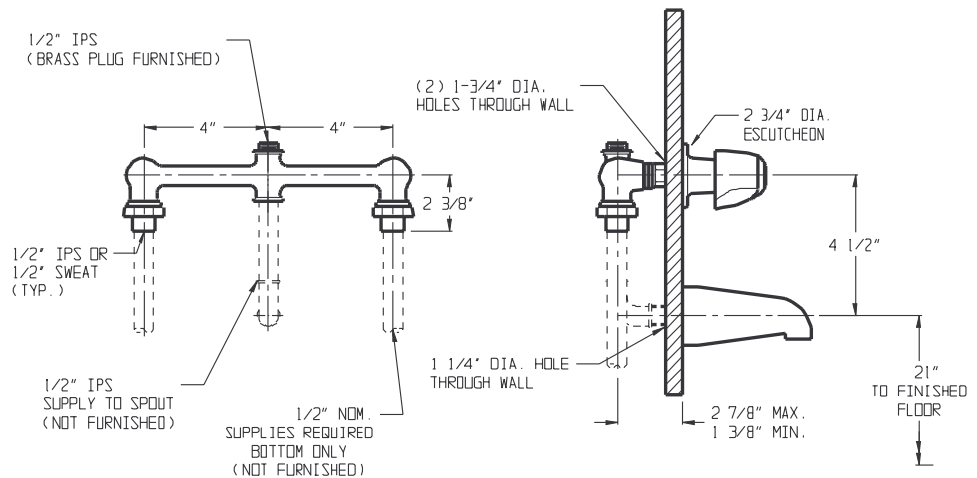
**Features:**

- Compression stems
- Body cast of high copper content brass
- Exposed parts have heavy chrome plated finish
- Working parts can be easily replaced
- 1/2" I.P.S. or 1/2" nominal copper sweat connections
- 8" centers with threaded escutcheons
- ADA compliant metal handles operate with less than 5 lbs. force
- Zinc die cast tub spout
- Brass plug for shower outlet



**Technical Specifications:**

- ANSI/ASME A112.18.1M
- ANSI A117.1 (ADA)
- CSA B125



**Catalog Numbers:**

- 48-810 IPS/Sweat (Chrome)
- 48-811 Sweat (Chrome)

**Prefixes Available:**

- C0- Ceramic cartridges
- 8- Crystalite™ handles
- C8- Ceramic cartridges w/Crystalite™ handles

**Suffixes Available**

- 81 Slip tube tub filler spout
- 86 Brass tub filler spout
- 95 Monel seats (compression only)
- 96 Celcon seats (compression only)

