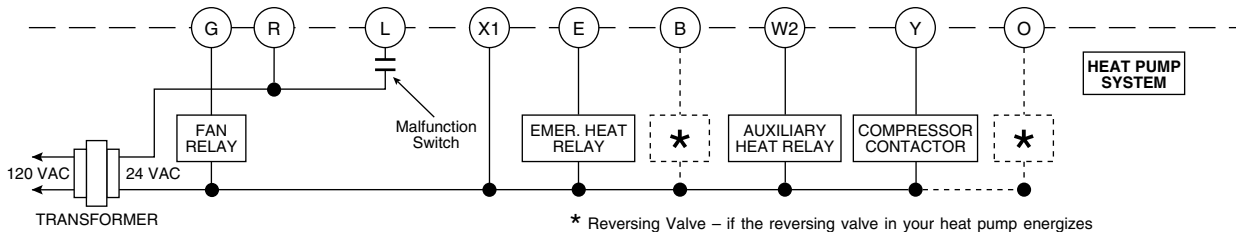




1F58-58/1F58W-58/1F58-72/1F58W-72/1F58-77/1F58W-77



NOTE: -58 models have terminal C (Common) instead of X1 and do not have terminal B (changeover energized in HEAT)

The emergency light cycles with emergency heat.

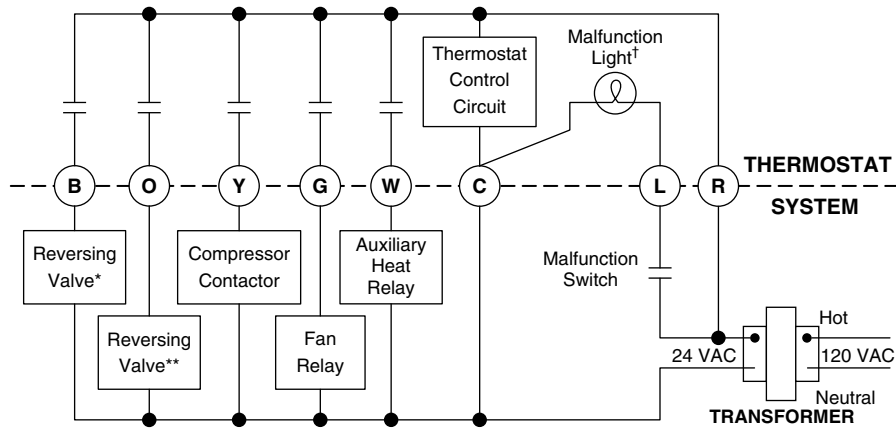
The auxiliary light cycles with stage 2 heat in either HEAT or EMER systems, switch positions.

If a malfunction switch is wired to terminal L, the check light will indicate a malfunction when switch contacts close.

* Reversing Valve – if the reversing valve in your heat pump energizes during HEAT, then make your electrical connection at terminal B on the subbase. If the reversing valve is energized during COOL, then make your connection at terminal O on the subbase.

Always refer to equipment manufacturer's instructions for proper identification of the reversing valve electrical connections.

1F59 WIRING DIAGRAM (ELECTRONIC HEAT PUMP)



* Reversing valve is energized when the System Switch is in the HEAT position

** Reversing valve is energized when the System Switch is in the COOL position